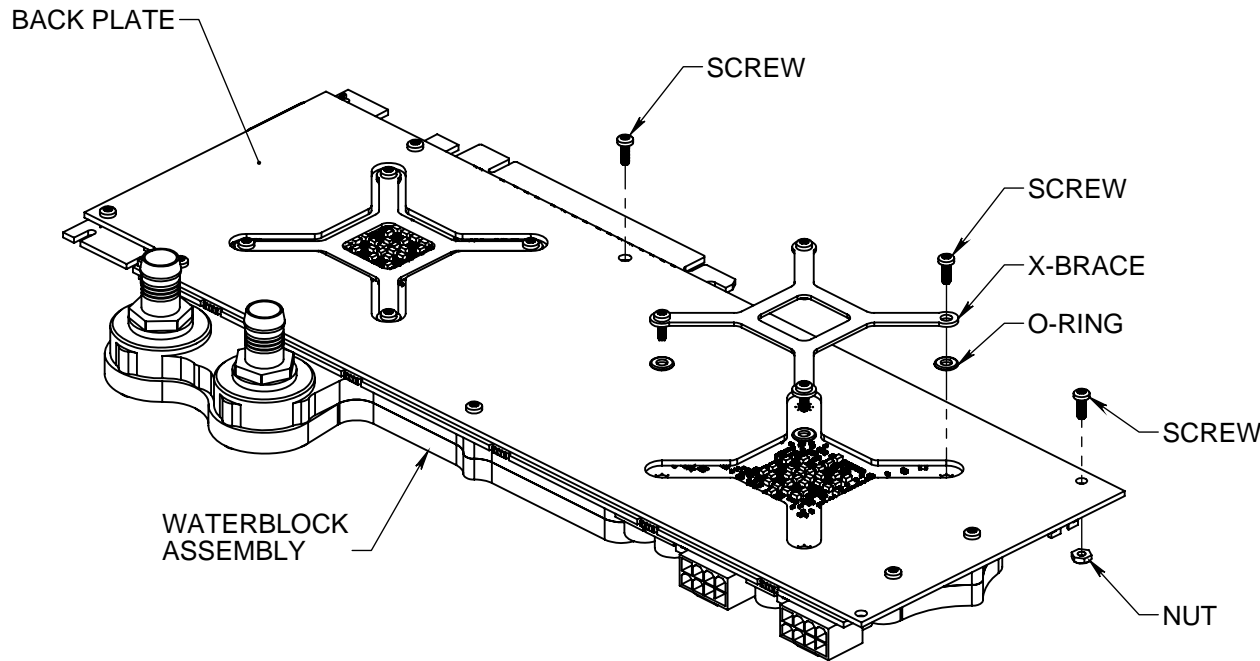


DD-6990 ATi Block

Danger Den Waterblock Installation

Danger Den LLC assumes no liability whatsoever, expressed or implied, for the use or installation of this product. These installation instructions are subject to change without notice.



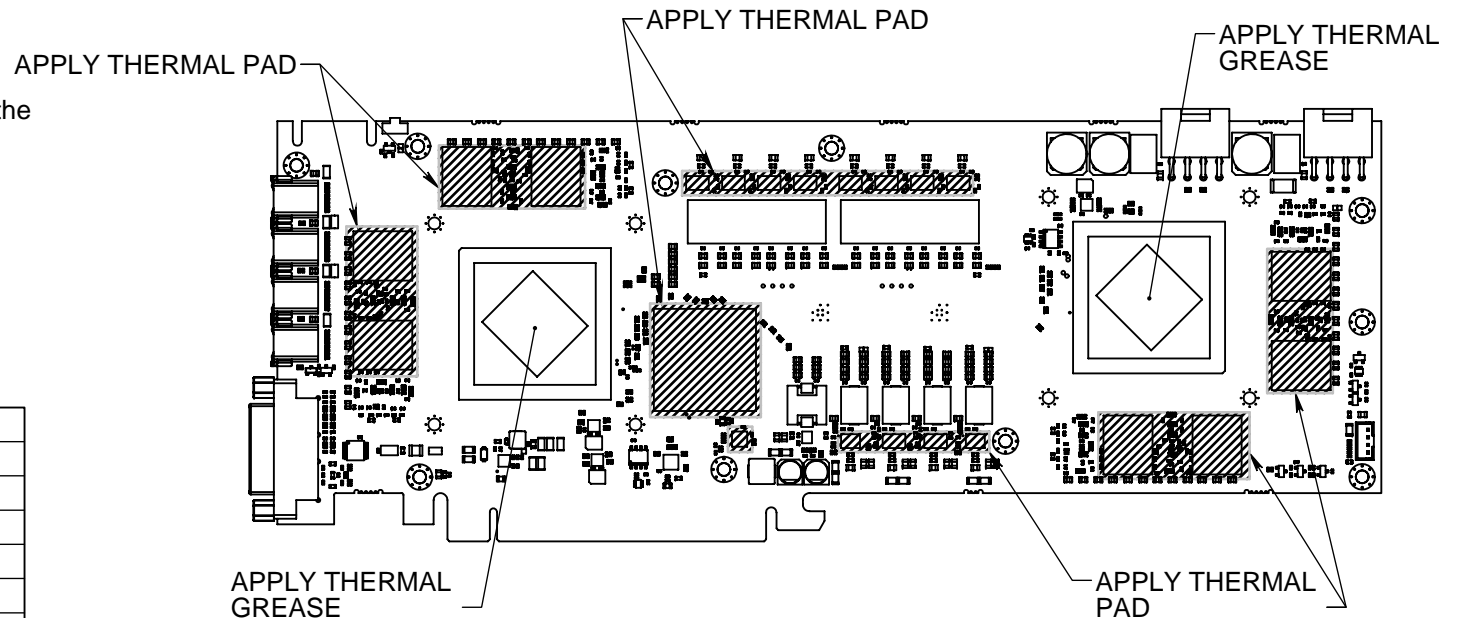
Caution:

Do Not overtighten screws. Installing the screws too tight may cause video card to bend. If video card show signs of bending, loosen screws slightly and recheck videocard for bending.

Note 1:
Perform a 24 hour leak test and verify each connection prior to applying power to the GPU and System.

Note 2:
The RAM is cooled by thermal tape

Additional screws are provided to fill the empty holes in the blackplate. Use the screws with the black nylon nut.



Items included in kit:

Description	QTY
2-56 Screw	16
#2 Nut	4
#2 O-Ring	8
Thermal Grease	1 tube
Thermal Pad	AR
Waterblock	1