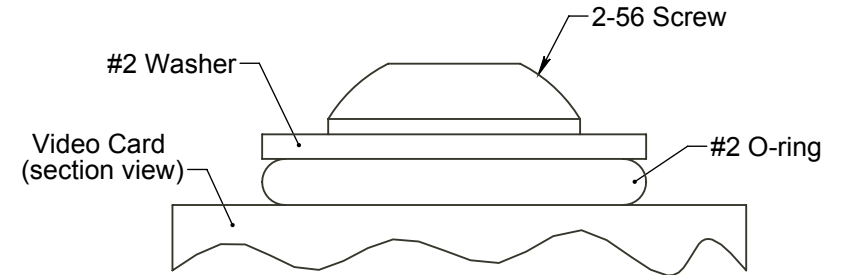
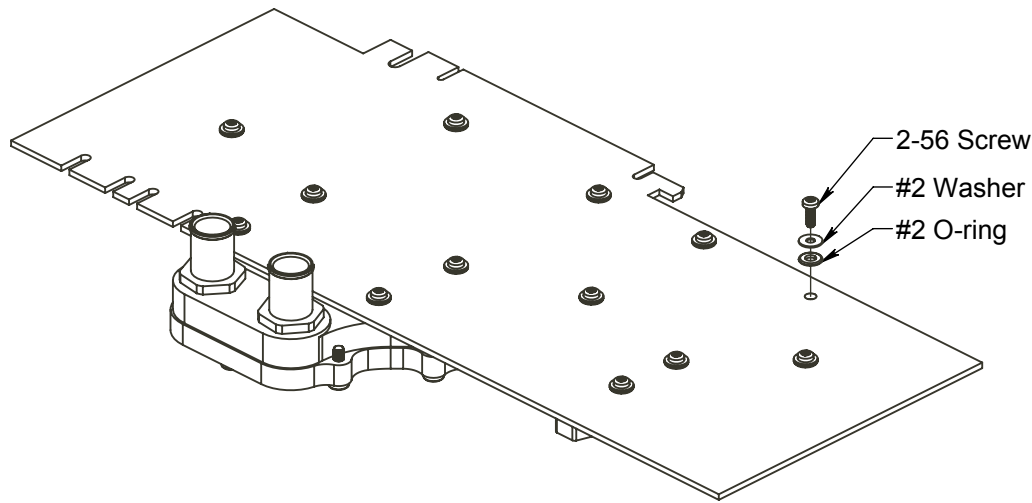


# Danger Den NV-9800GTX Waterblock Installation

Danger Den LLC assumes no liability whatsoever, expressed or implied, for the use or installation of this product. These installation instructions are subject to change without notice.



Tighten screws until O-Ring diameter is equal to or slightly greater than the diameter of the washer.

**Caution:**  
Do Not overtighten screws. Installing the screws too tight may cause video card to bend.  
If video card show signs of bending, loosen screws slightly and recheck videocard for bending.

Items included in kit:

Discription	QTY
2-56 Screw	13
#2 SS Washer	13
#2 O-Ring	13
Thermal Grease	1 tube
Thermal Pad	(cut to fit)
NV-9800GTX	1

