

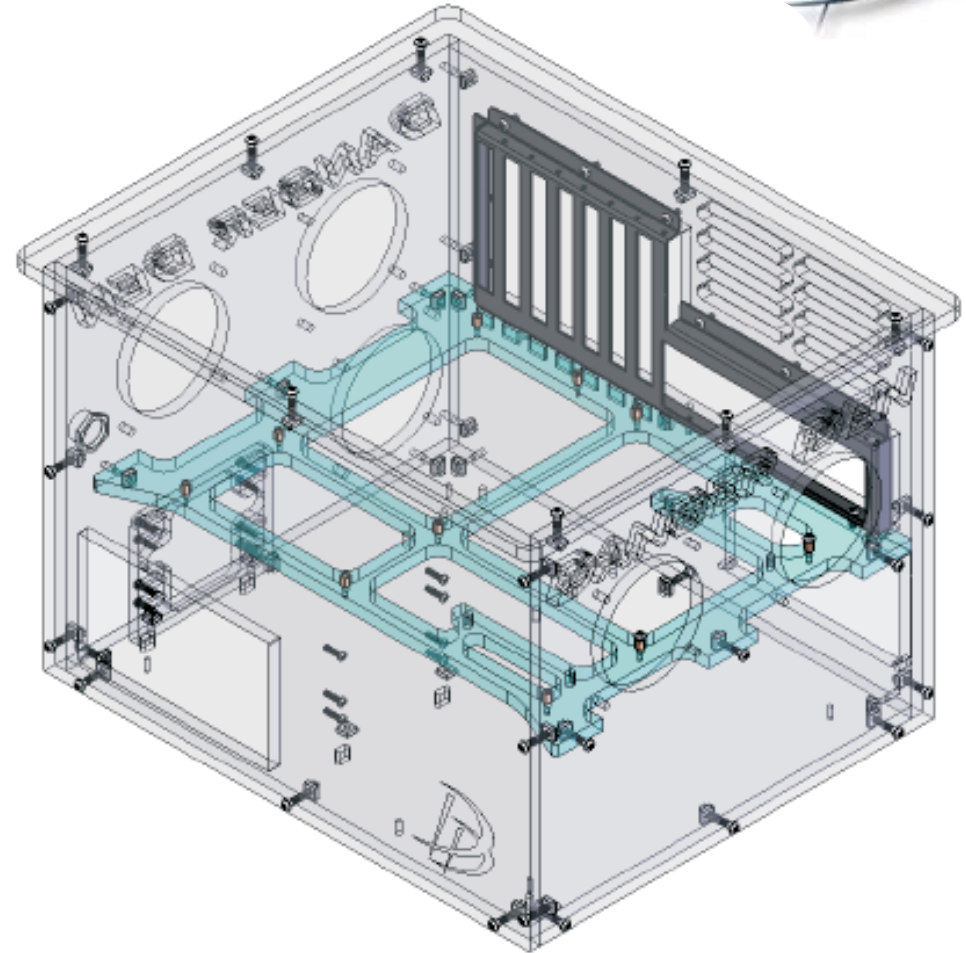
## Air Box

Part No. CAS-AB01

### assembly diagrams



Item #	Part	Quantity	Description
1	Case Bottom	1	
2	Mobo Tray	1	
3	Back Wall	1	
4	Left Wall	1	
5	Right Wall	1	
6	Front Wall	1	
7	Case Top	1	
8	I-O Shield	1	
9	Vandal Proof Switch & Nut	1	
10	Wire Lead for Switch	1	
11	Allen Wrench	1	
12	Case "Foot"	4	
13	MotherBoard Standoffs	10	Brass Standoff
14	MotherBoard Mounting Screws	10	
15	I-O Shield Mount Screws	12	6-32 x 5/16" Button Head Socket Cap Screw
16	Case Wall Assembly Nuts	65	6-32 Hex Nuts
17	Case Wall Screws	45	6-32 x 7/8" Button Head Socket Cap Screw
18	"Foot", HDD, PSU Mount Screws	12	6-32 x 1/2" Button Head Socket Cap Screw
19	Fan Mount Screws	20	6-32 x 3/4" Button Head Socket Cap Screw
20	PCI Mount Screws	7	6-32 x 3/16" Pan Head Phillips Machine Screw
21	Optical Drive Mount Screws	16	M3 - 12mm Phil Pan Machine Screw
22	Optical Mount	2	



Notes:

1. Your "Air Box" may be customized and look different, but all "Air Box" cases will assemble in the same manner.
2. All computer components shown in these drawings are for reference only, and are not part of the "Air Box".
3. During assembly, leaving the screws slightly loose will help with aligning the case panels. After all the panels are in place, go back over the entire case and tighten all screws.

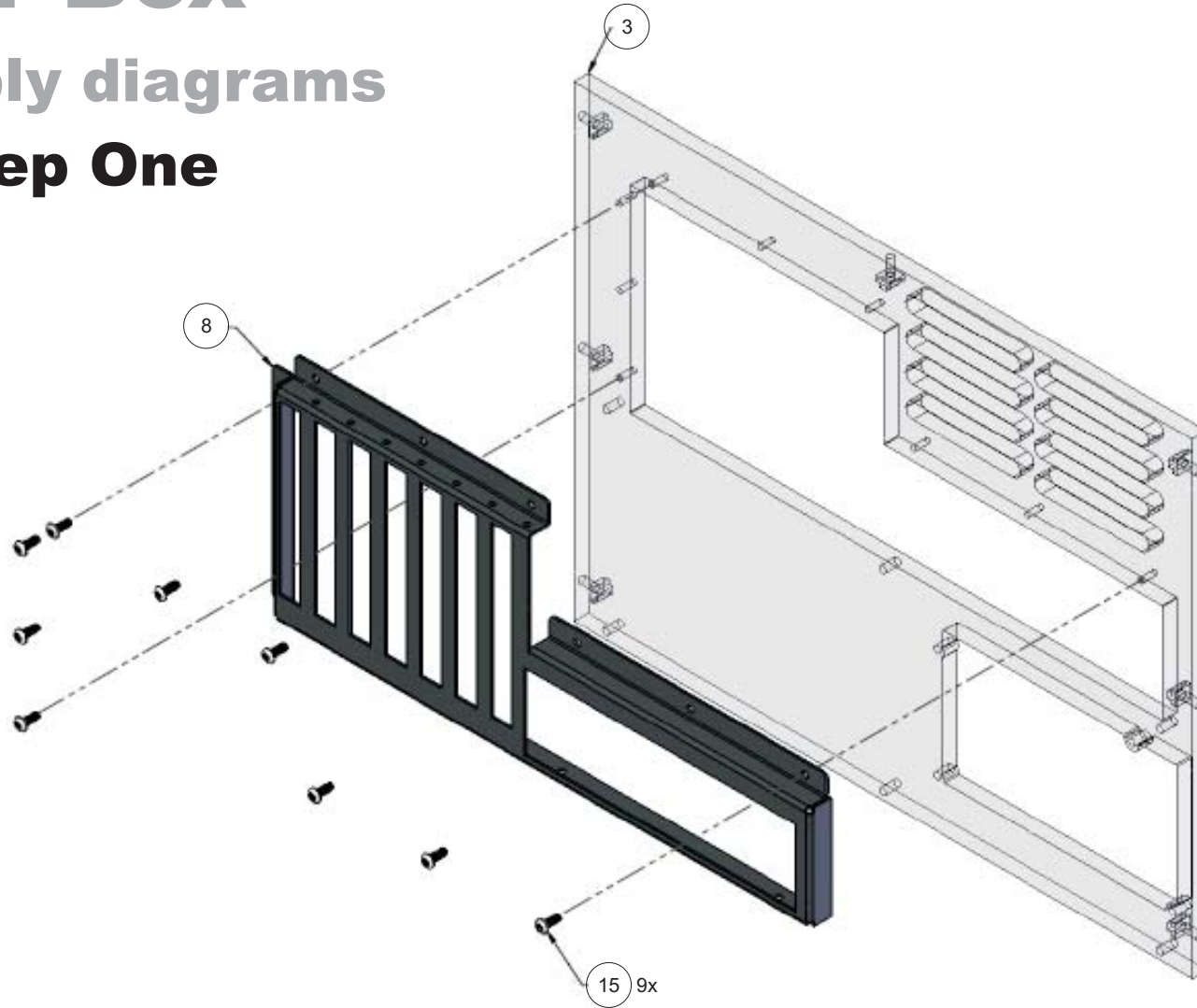
"This documentation/data is the property of Danger Den LLC. You may not possess, use, copy, or disclose this document/data or any information contained therein, for any purpose, including without limitation to design, manufacture, or repair parts, or obtain government approval to do so, without Danger Den LLC express written permission. Neither receipt nor possession of this document alone, from any source, constitutes such permission. Possession, use, copying, or disclosing by anyone without Danger den LLC express written permission is not authorized and may result in criminal and/or civil liability. This document/data remains the property of Danger Den LLC. This document/data is not releasable under the freedom of information act." © copyright Danger Den LLC.



## Air Box

### assembly diagrams

### Step One

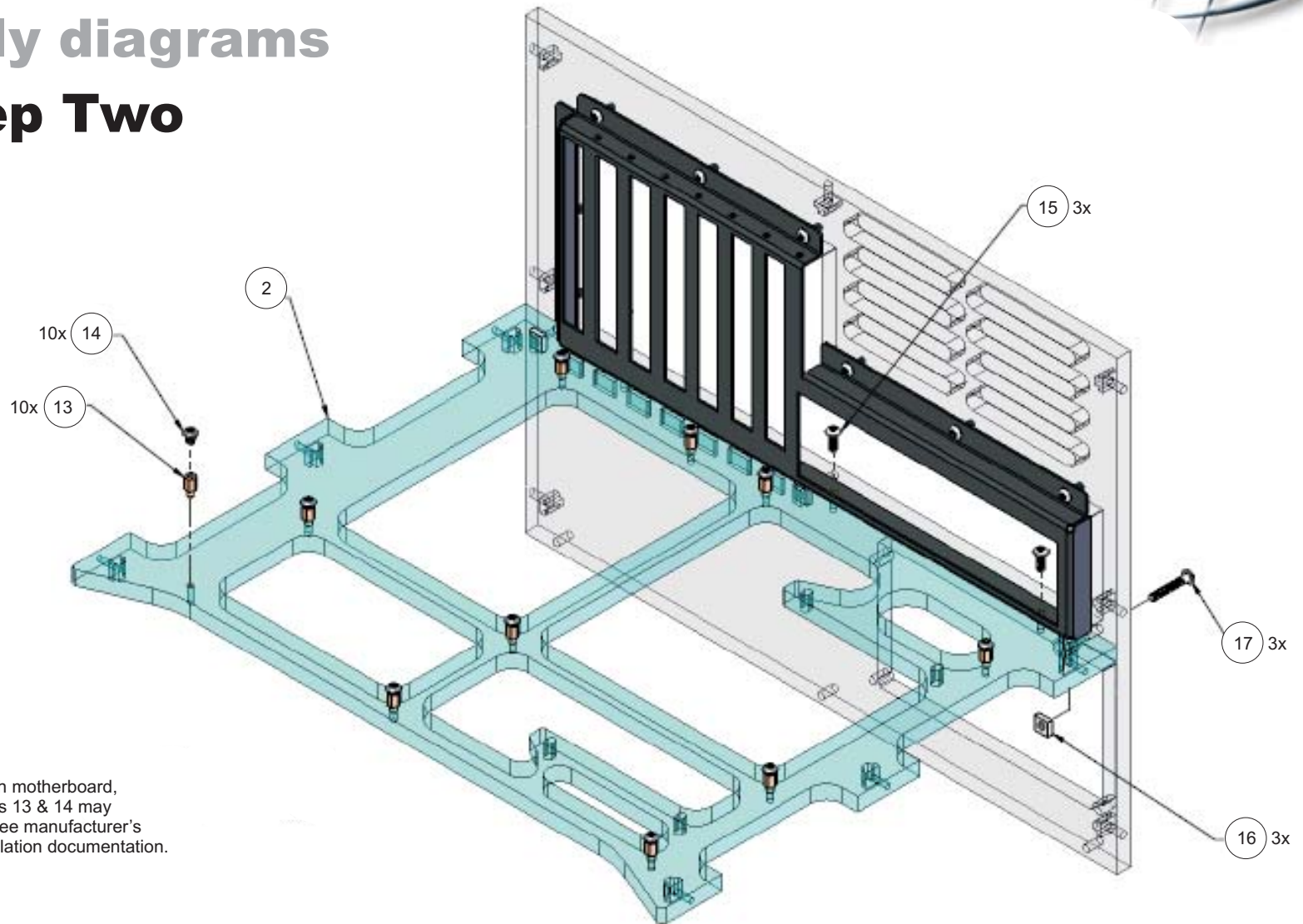




## Air Box

### assembly diagrams

### Step Two



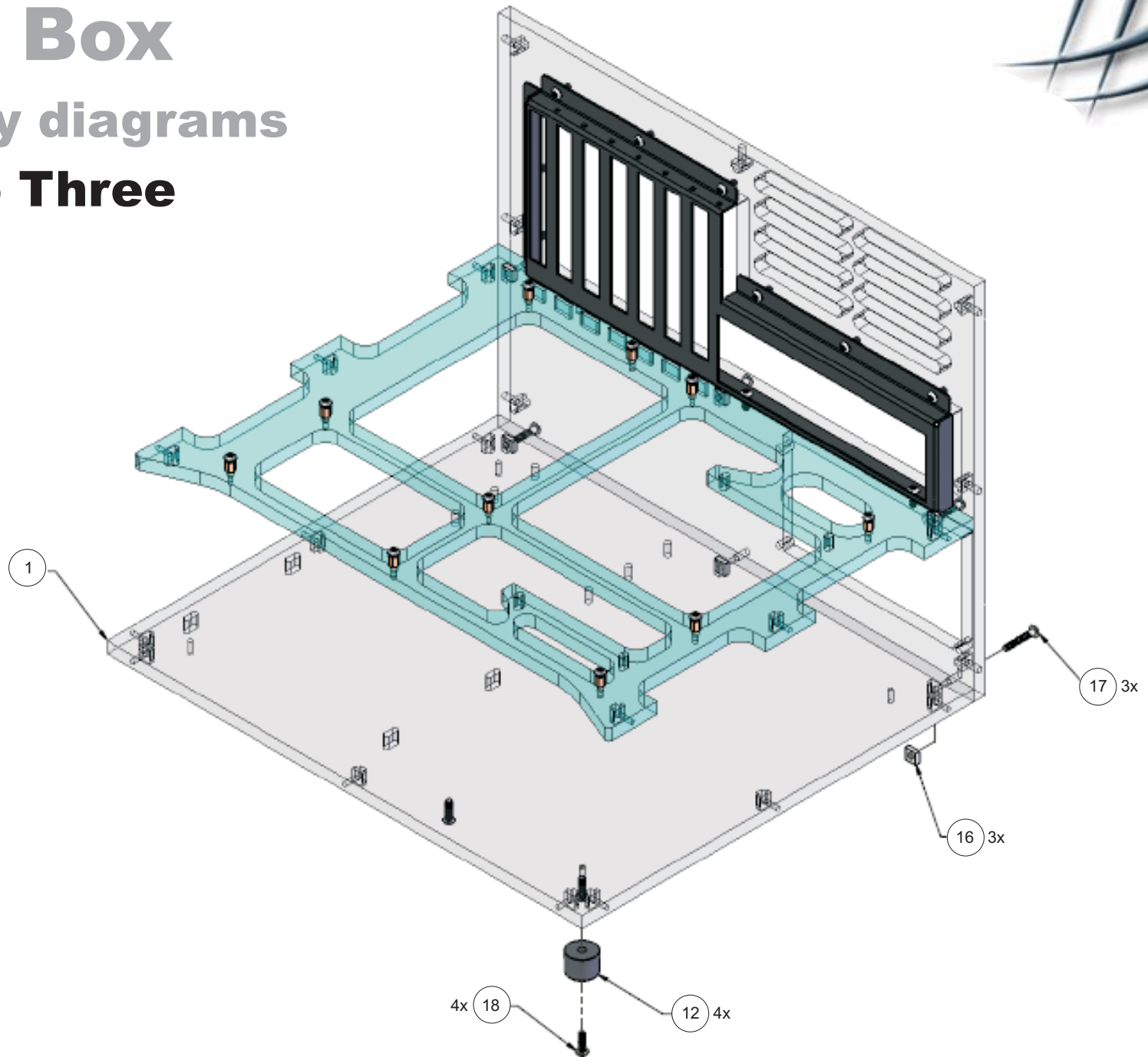
Depending on each motherboard, all 10 parts of items 13 & 14 may not be required. See manufacturer's motherboard installation documentation.



## Air Box

### assembly diagrams

### Step Three

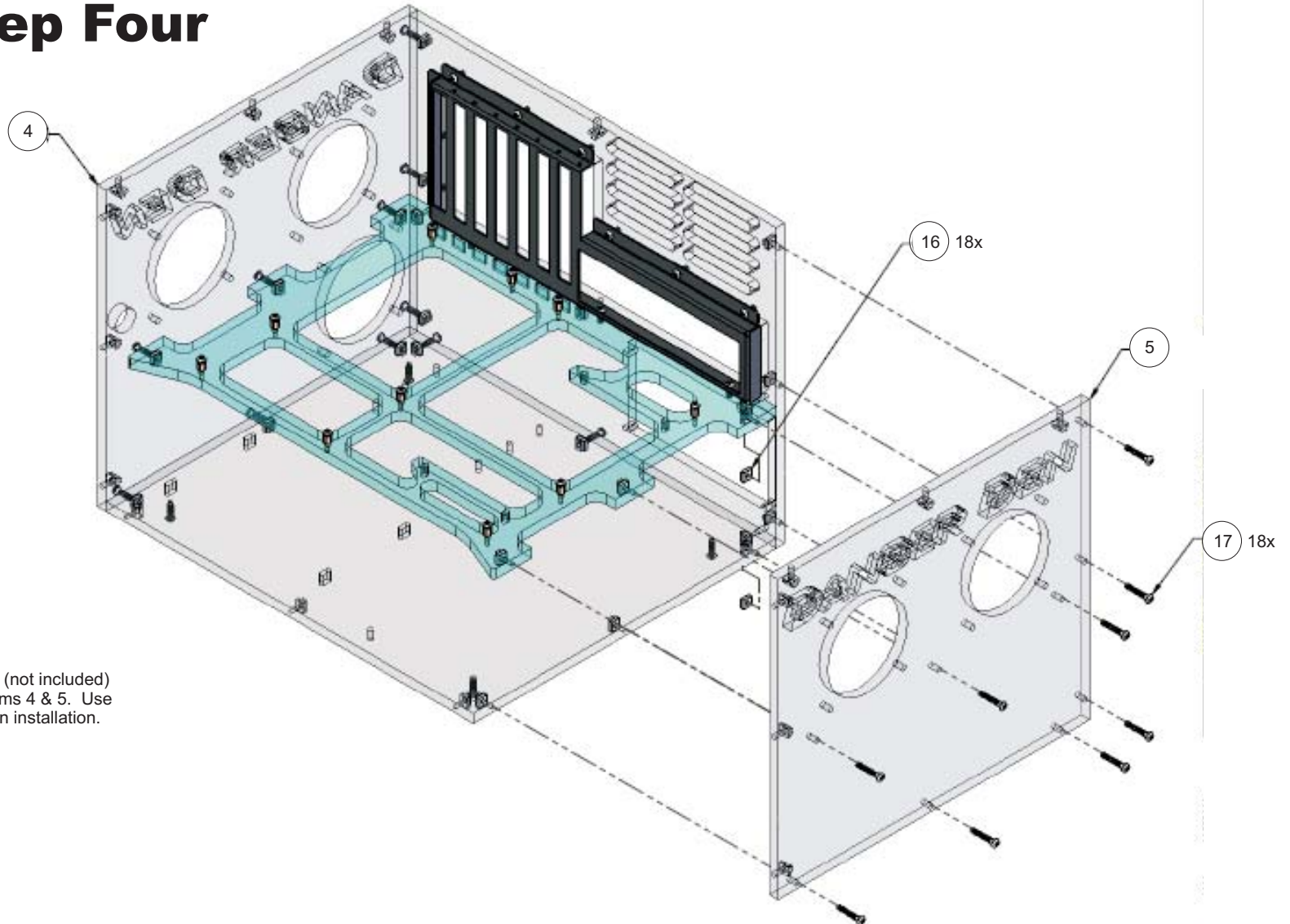




## Air Box

### assembly diagrams

### Step Four



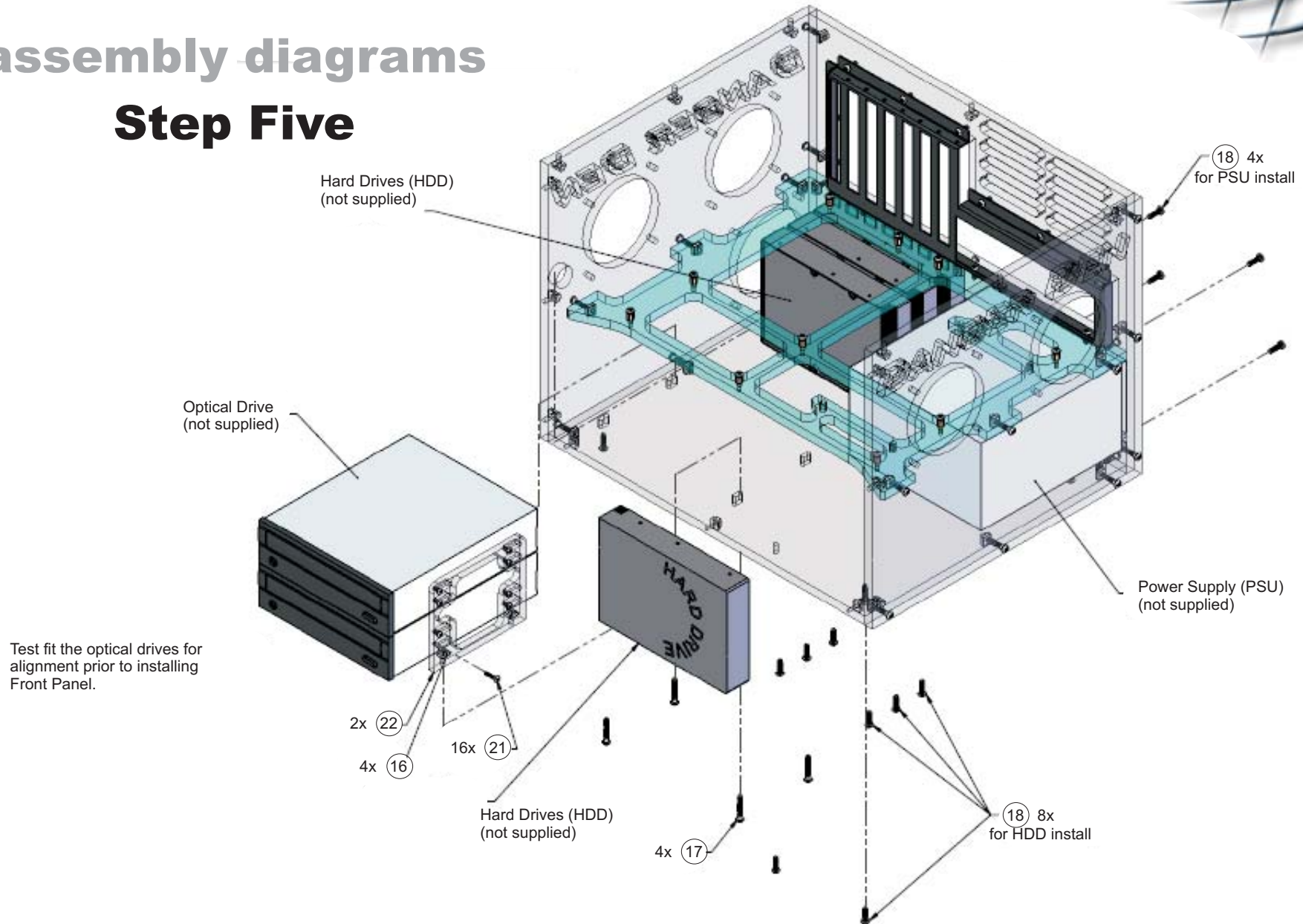
Install 5 80mm fans (not included) prior to installing items 4 & 5. Use items 19 & 16 for fan installation.

## Air Box

### assembly diagrams

### Step Five

Install all wiring possible, access will be limited once MotherBoard is installed.

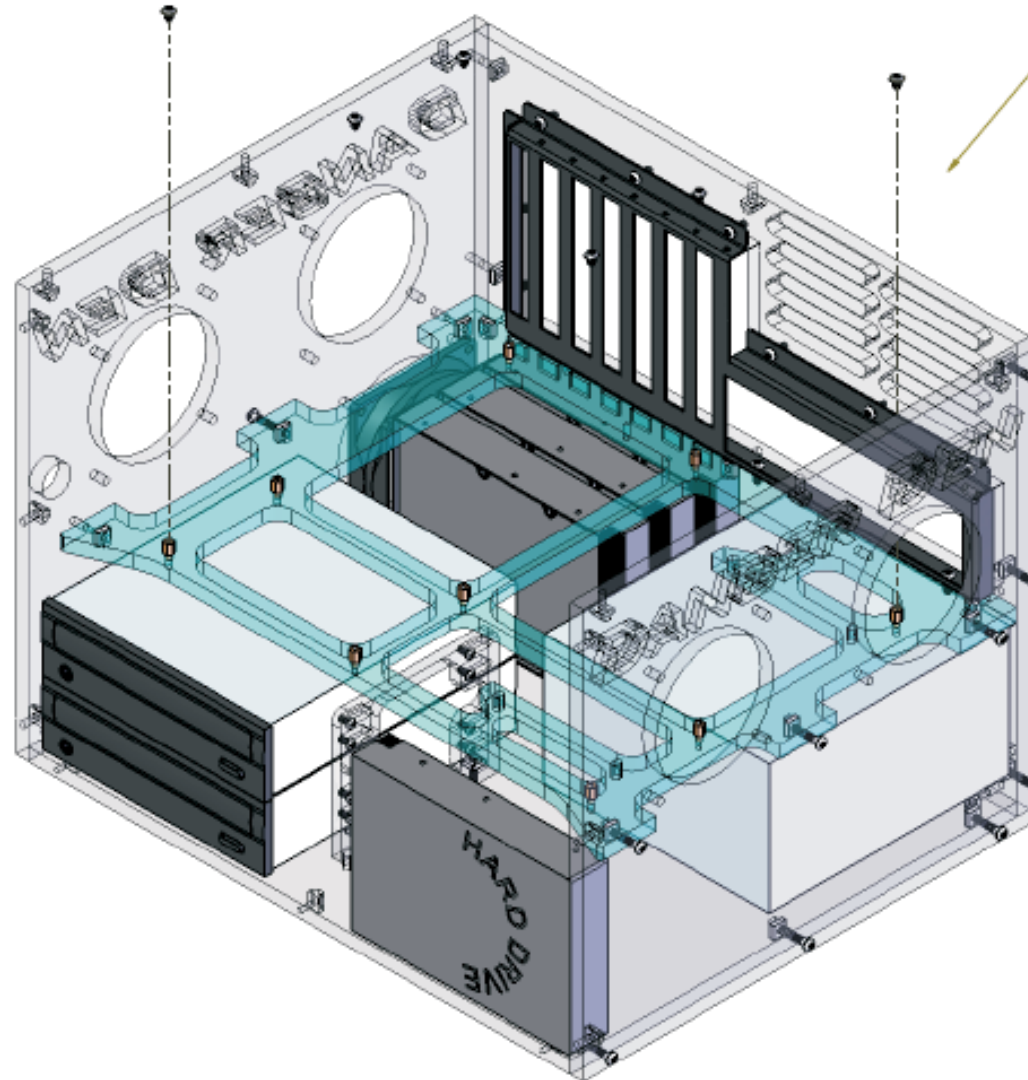




## Air Box

### assembly diagrams

### Step Six



MotherBoard Assembly  
(not supplied)



## Air Box

### assembly diagrams

### Step Seven

When wiring up the power switch please refer to the manufacturer's motherboard manual for locating the correct pins on Front Panel Header.

This is a momentary contact switch. The wires can be installed to either terminal. Verify that good contact is made once wires are installed.

