



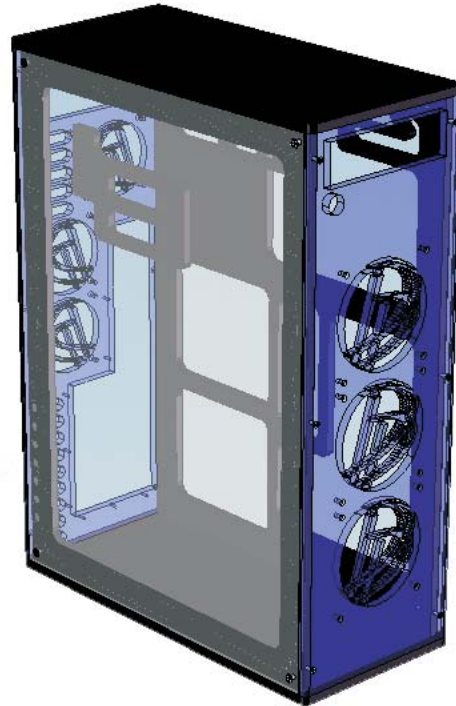
“Black Series” Tower-21

Danger Den Extended ATX Computer Case

Part No. CAS-BS03

assembly diagrams

Item #	Part	Quantity	Description
1	Case Front Panel	1	Fan grills/ optical drive
2	Case Top Panel	1	
3	Case Bottom Panel	1	
4	Case Side Window	2	1/4" Acrylic
5	Case Rear Panel	1	I-O shield wall
6	Internal Support Frame	1	
7	Internal Support Mobo	1	
8	Internal Support	2	optical drive rails
8a	Internal Support	2	HDD rail
9	I-O Shield	1	
10	Vandal Proof Switch & Nut	1	
11	Wire Lead for Switch	1	
12	Case Support Foot and Screws	4	Rubber Case Feet
		4	6-32 x 1/2" Pan Head Phillips Machine Screw
13	I-O Shield Mount Screws	9	6-32 x 5/16" Pan Head Phillips Machine Screw
14	I-O Shield Mount Screws & Allen Wrench	3	6-32 x 5/16" Button Head Socket Cap Screw
		1	allen wrench
15	Motherboard Standoffs & Mounting Screws	12	Brass Standoffs
		12	Mounting screws
16	Case Wall Assembly Nuts	50	6-32 Hex Nuts
17	Case Wall Assembly Screws	26	6-32 x 1 1/8" Flat Head Phillips Machine Screw
18	HDD, PSU, Case side Mount Screws	30	6-32 x 1/2" Flat Head Phillips Machine Screw
19	PCI Mount Screws	7	6-32 x 3/16" Pan Head Phillips Machine Screw
20	Optical Drive Mount Screws	4	M3 - 12mm Phil Pan Machine Screw
21	Fan Mounting Screws	24	6-32 x 3/4" Flat Head Machine Screw
22	OPTIONAL Audio - USB install screws and washers	4	6-32 Flat Washer
		2	6-32 x 1/2" Pan Head Phillips Machine Screw



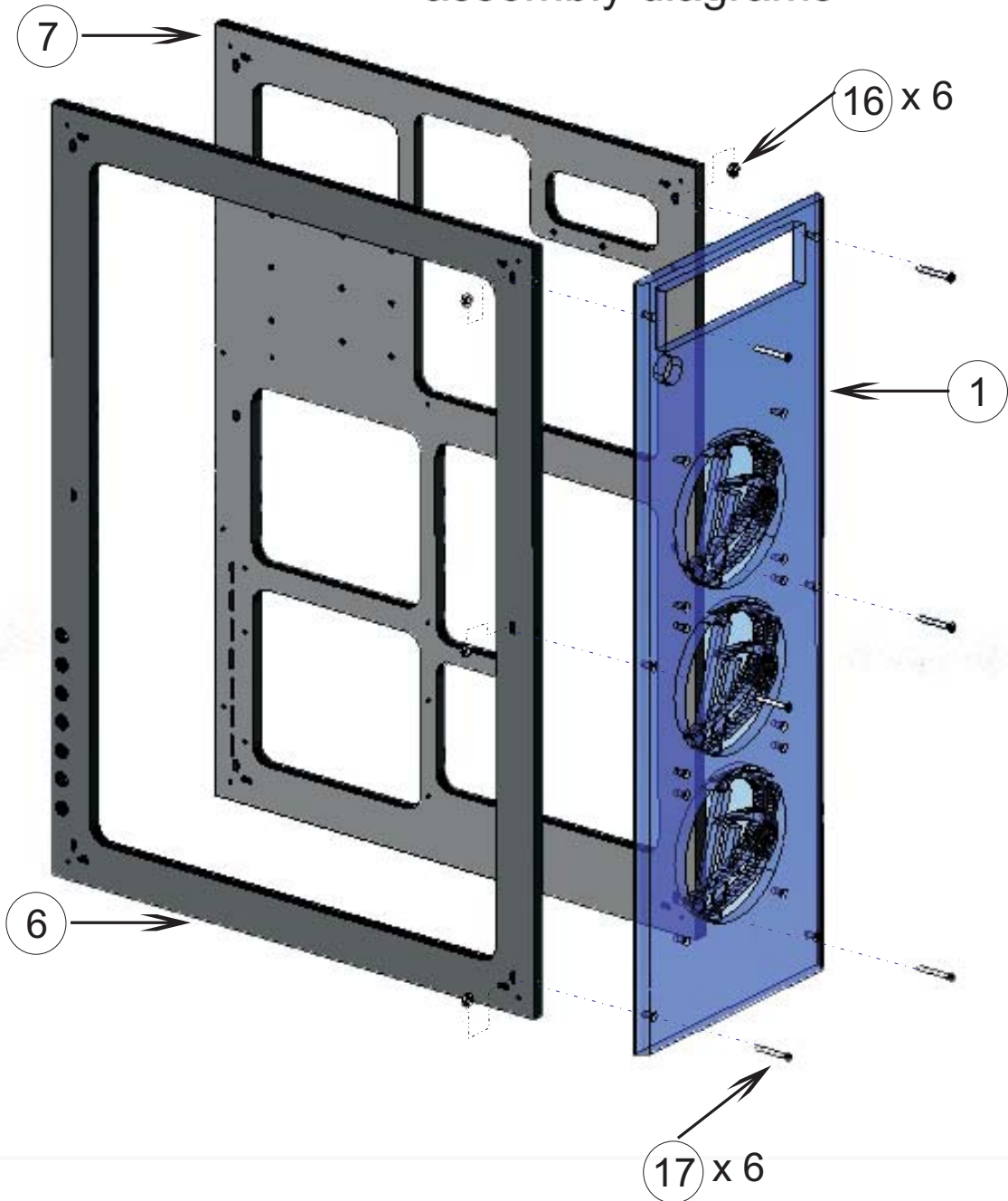
1. Your case may be customized and look different, but all Danger Den tower cases will assemble in the same manner.
2. The Black Series Tower cases have been proven to work well with the use of the DDC pump. Other pumps may fit, but may create a challenge when it is time to plumb the system.
3. During assembly, leaving the screw slightly loose will help with aligning the case panels. After the panels are in place, go back over the entire case and tighten all the screws.
4. The Black Series Tower cases have been proven to accept power supply units up to 6" in length. Longer power supplies may work, but could create a challenge for wire management.

DANGER DENTM
overclocking | watercooling | case mods



“Black Series” Tower-21

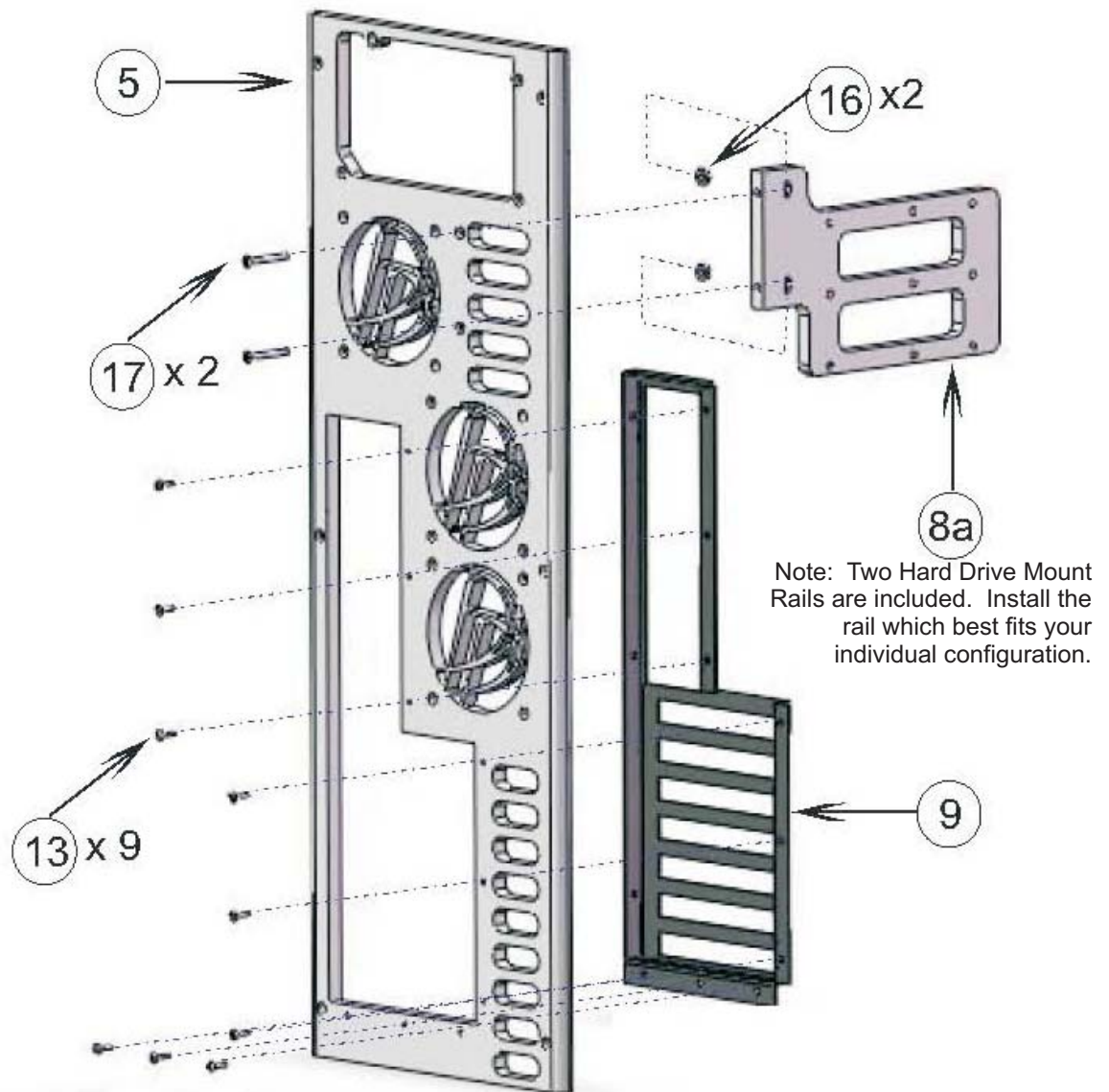
assembly diagrams





"Black Series" Tower-21

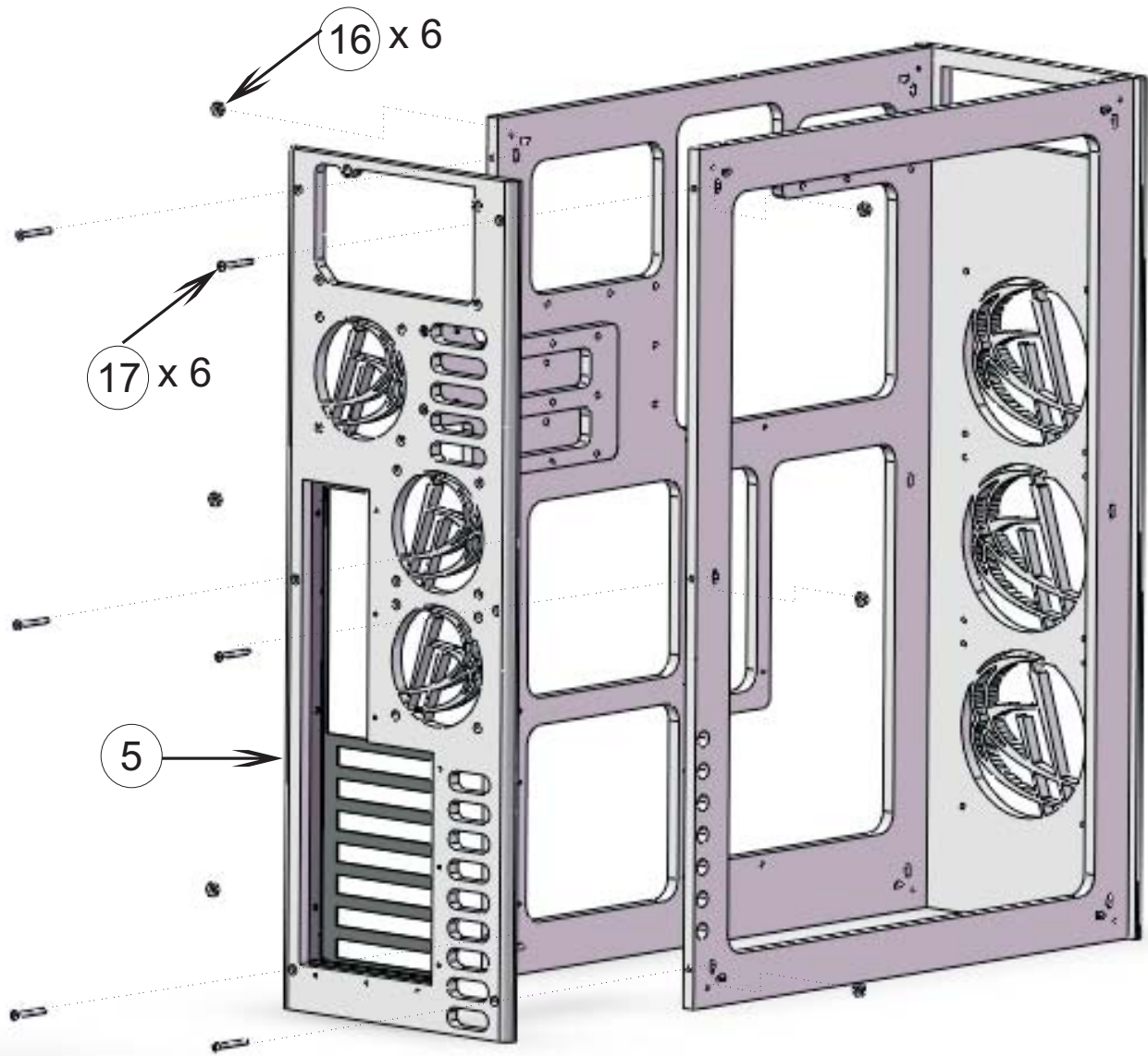
assembly diagrams





“Black Series” Tower-21

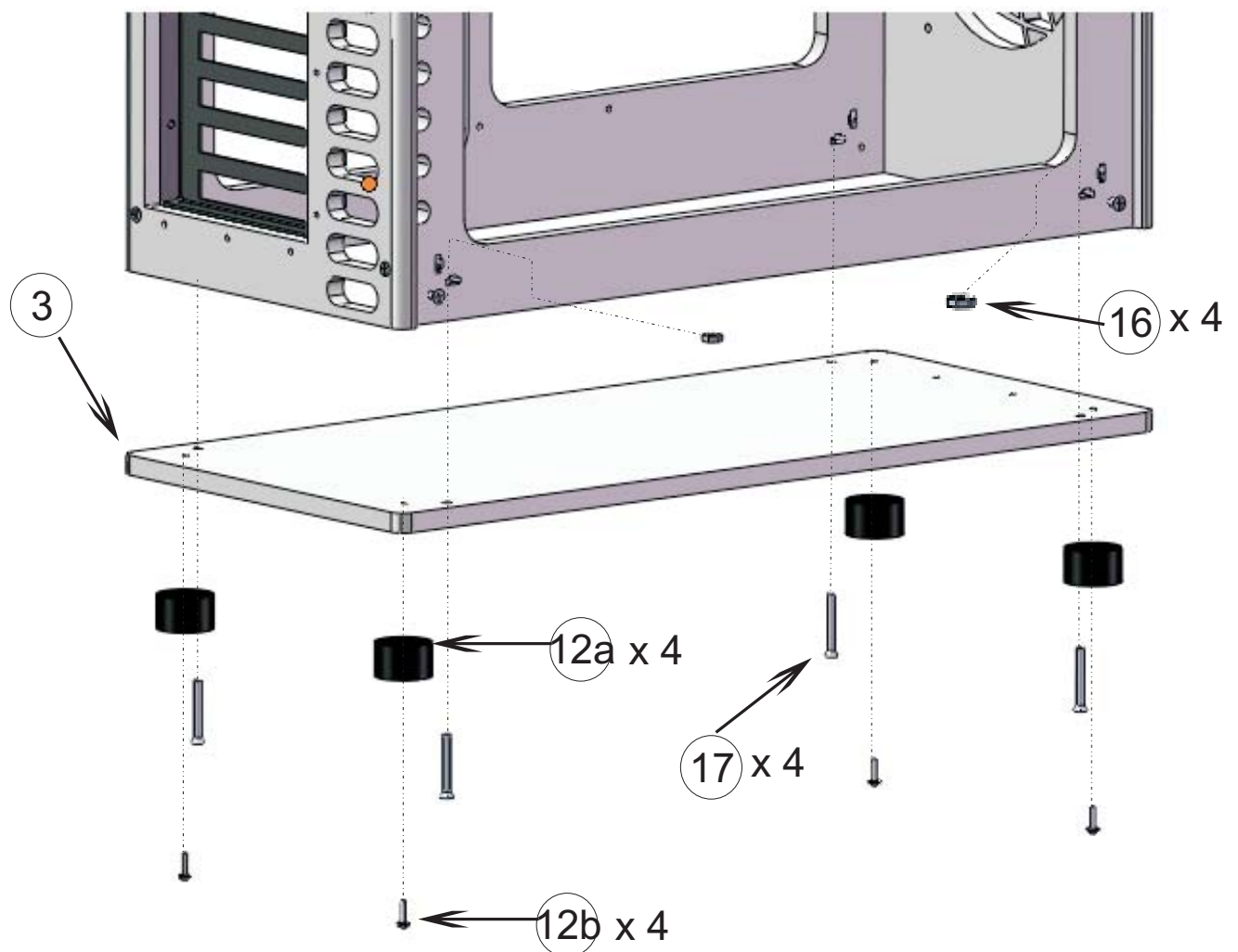
assembly diagrams





"Black Series" Tower-21

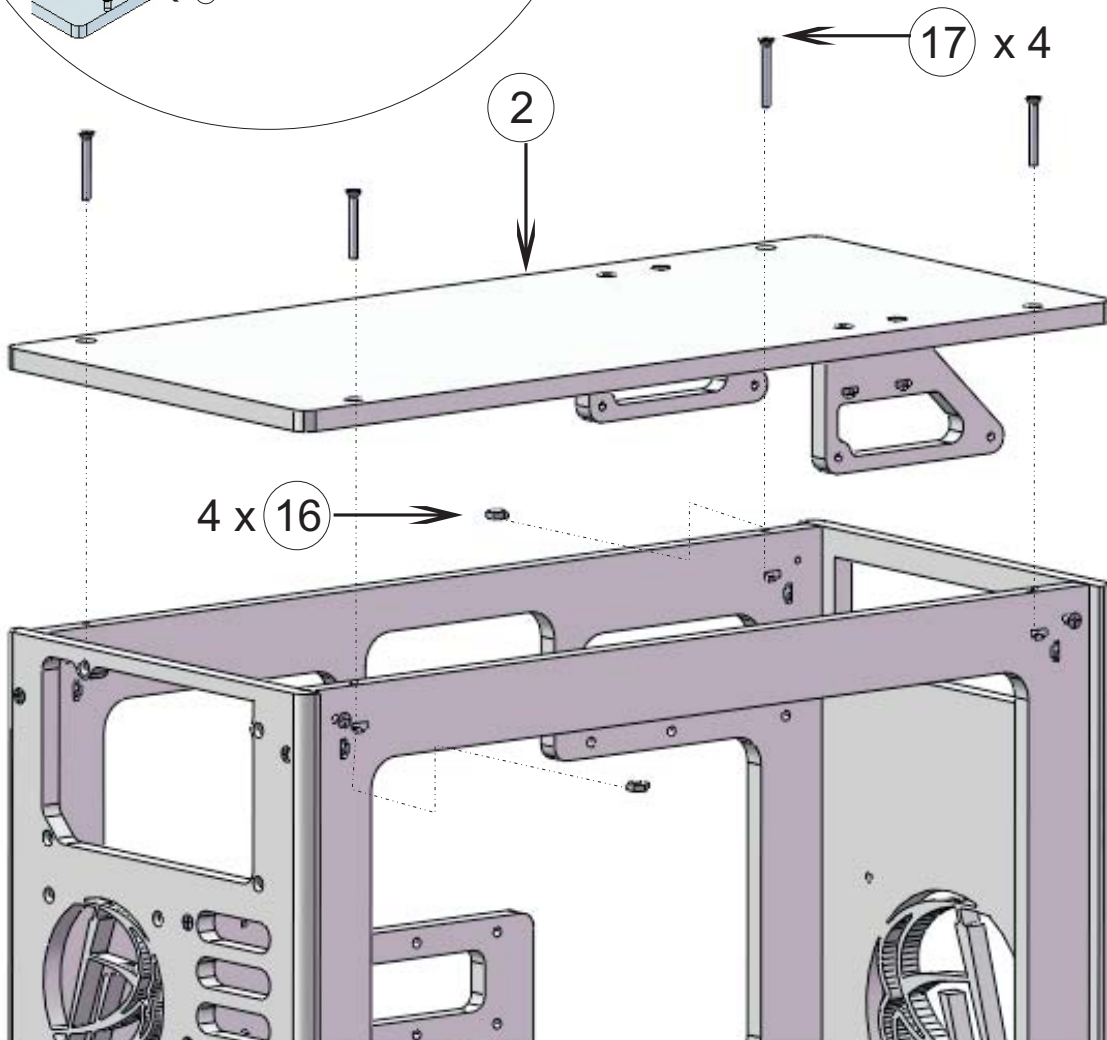
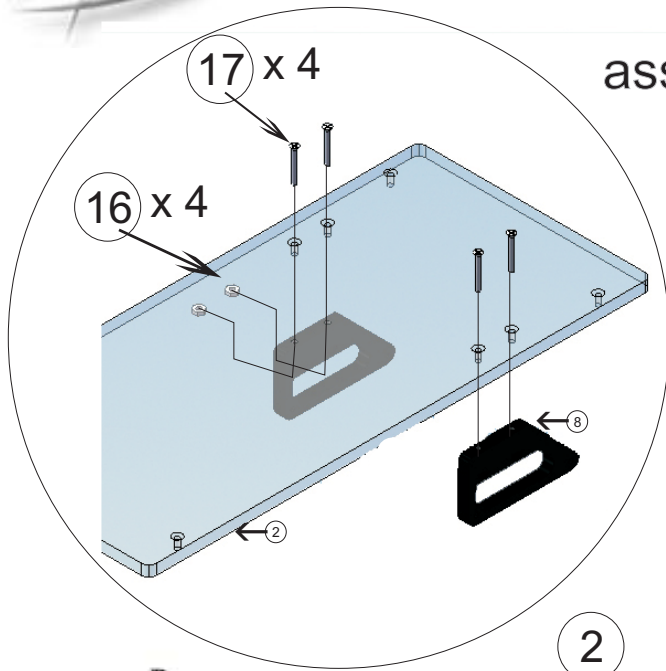
assembly diagrams





"Black Series" Tower-21

assembly diagrams





“Black Series” Tower-21

assembly diagrams

