



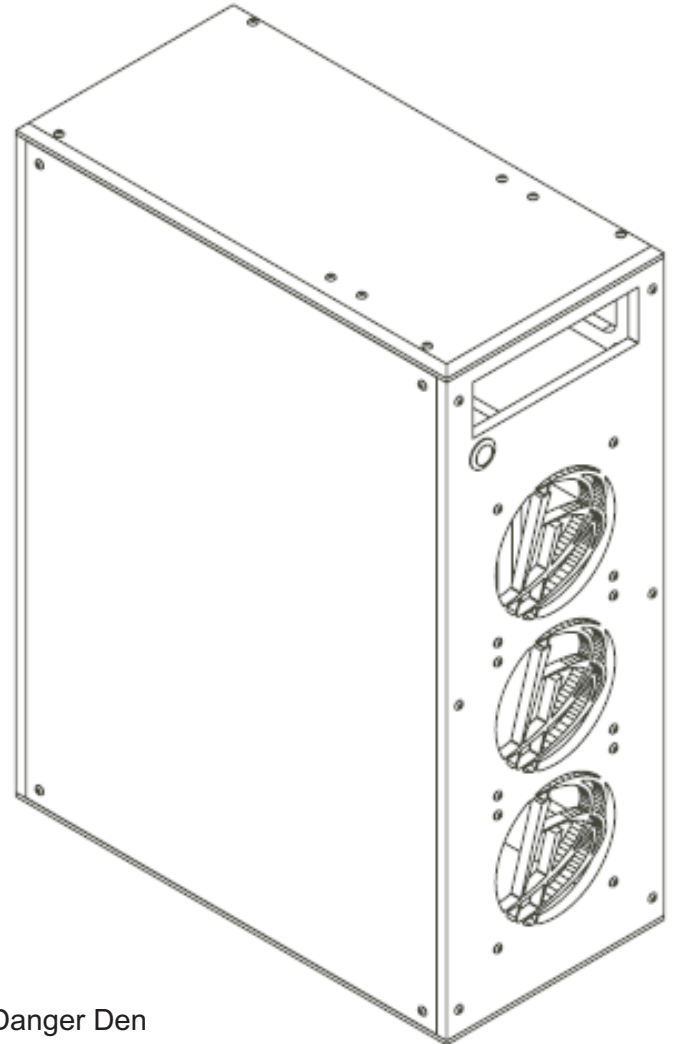
TOWER-21

Danger Den Standard ATX Computer Case

Part No. CAS-AD03

assembly diagrams

Item #	Part	Quantity	Description
1	Front Panel	1	Fan grills/ optical drive
2	Case Top Panel	1	
3	Case Bottom Panel	1	
4	Case Side Panel	2	1/4" Acrylic
5	Case Rear Panel	1	I-O shield wall
6	Internal Support Frame	1	
7	Internal Support Mobo	1	
8	Internal Support	2	optical drive rails
9	I-O Shield	1	
10	Vandal Proof Switch & Nut	1	
11	Wire Lead for Switch	1	
12	Case Support Foot	4	
13	I-O Shield Mount Screws	9	6-32 x 5/16" Pan Head Phillips Machine Screw
14	I-O Shield Mount Screws & Allen Wrench	3	6-32 x 5/16" Button Head Socket Cap Screw
		1	allen wrench
15	Motherboard Standoffs and Mounting Screws	11	Brass Standoffs
		11	Mounting screws
16	Case Wall Assembly Nuts	24	6-32 Hex Nuts
17	Case Wall Assembly Screws	24	6-32 x 7/8" Pan Head Phillips Machine Screw
18	"Foot", PSU Mount, Case Sides, Radiator Mount Screws	28	6-32 x 1/2" Pan Head Phillips Machine Screw
18a	Optional GTX Radiator Mount	12	4mm x 12mm Phillips Machine Screw
19	PCI Mount Screws	7	6-32 x 3/16" Pan Head Phillips Machine Screw
20	Optical Drive Mount Screws	4	M3 - 12mm Phil Pan Machine Screw
21	HDD mount screws	9	6-32 x 3/8" Pan Head Phillips Machine Screw



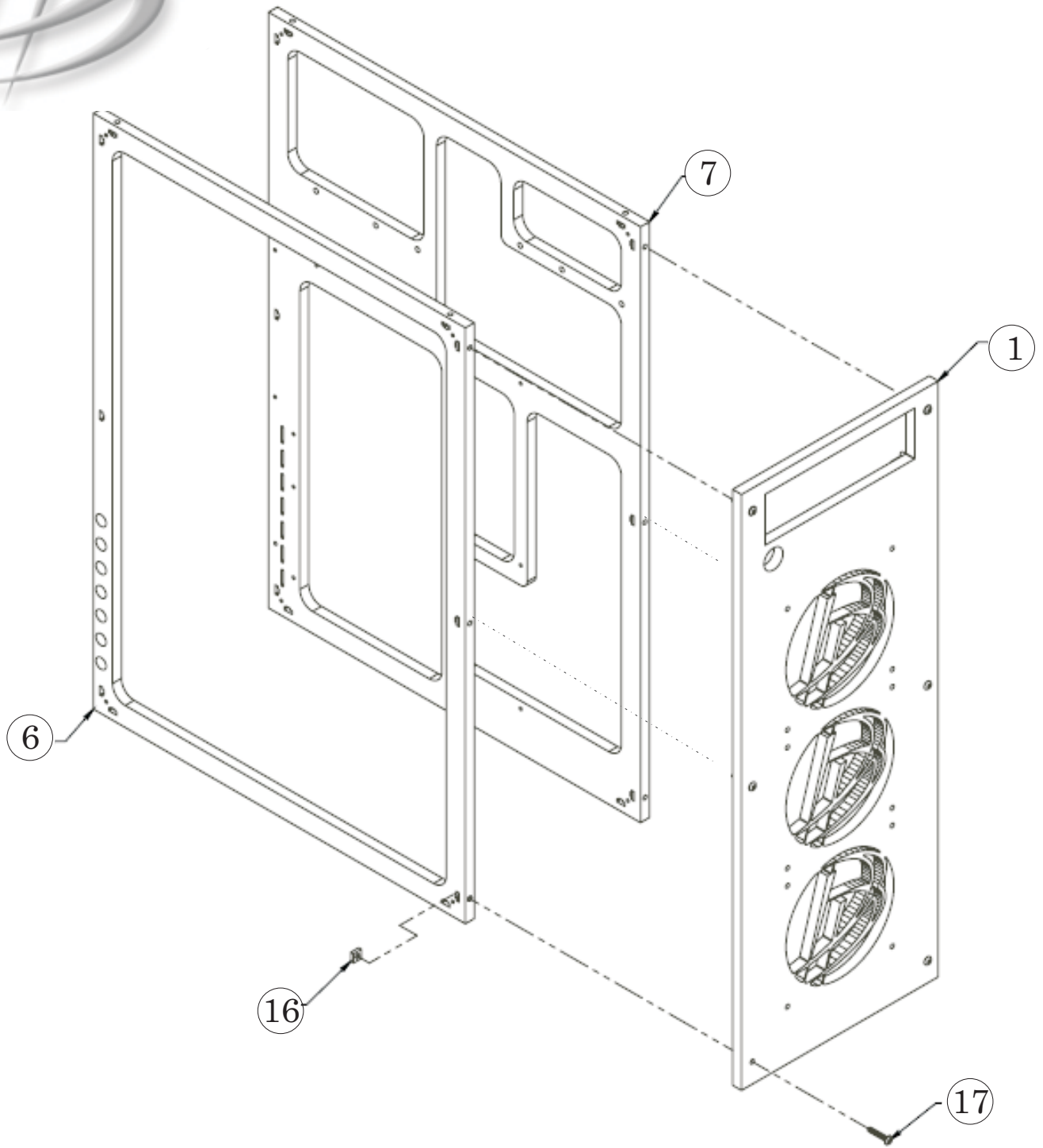
1. Your case may be customized an look different, but all Danger Den tower cases will assemble in the same manner.
2. The Danger Den Tower-21 has been proven to work well with the use of the DDC pump. Other pumps may fit, but may create a challenge when it is time to plumb the system.
3. During assembly, leaving the screw slightly loose will help with aligning the case panels. After the panels are in place, go back over the entire case and tighten all the screws.
4. The Danger Den Tower-21 has been proven to accept power supply units up to 6" in length. Longer power supplies may work, but could create a challenge for wire management.

DANGER DEN™

overclocking | watercooling | case mods

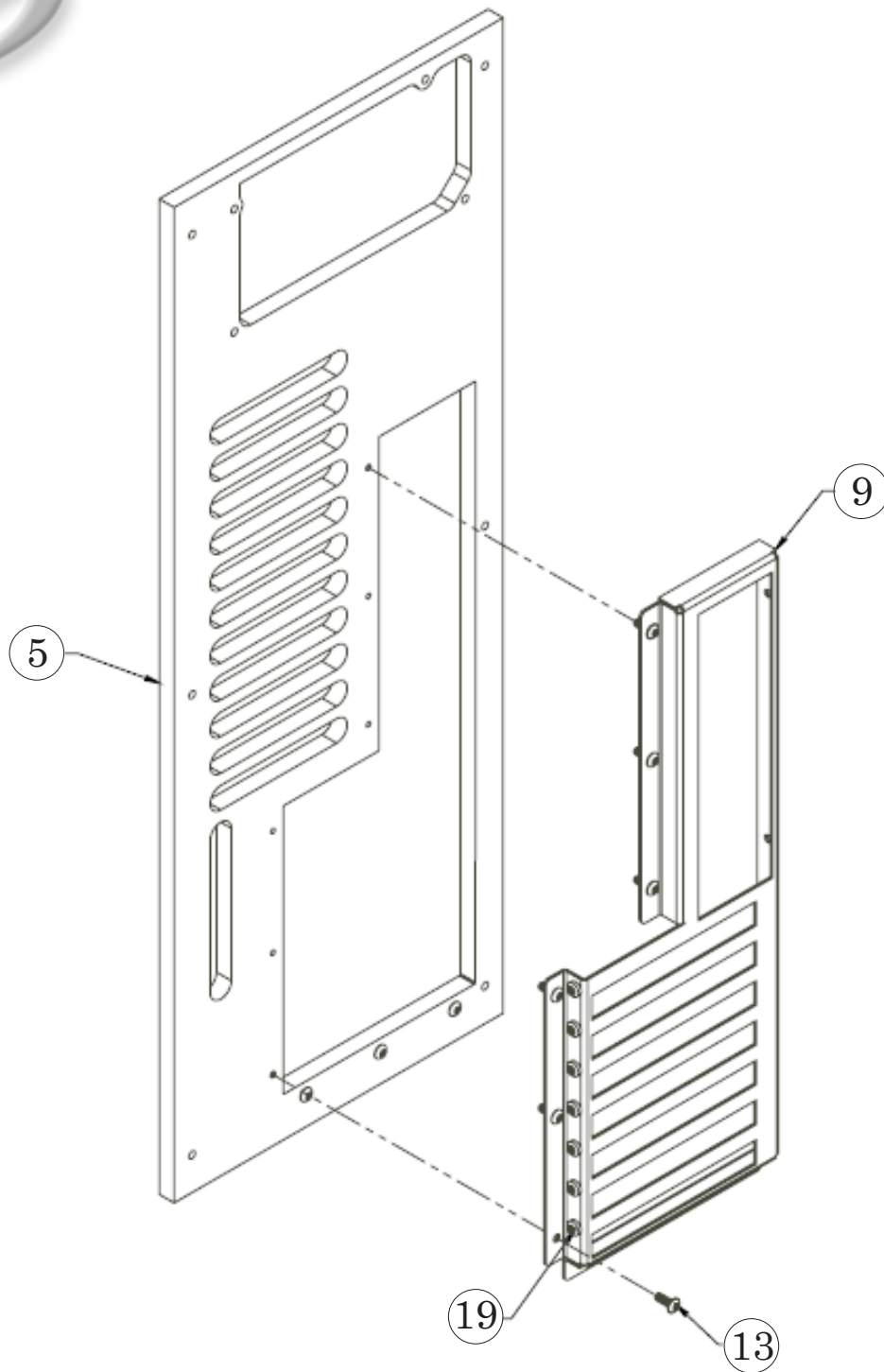


assembly diagrams



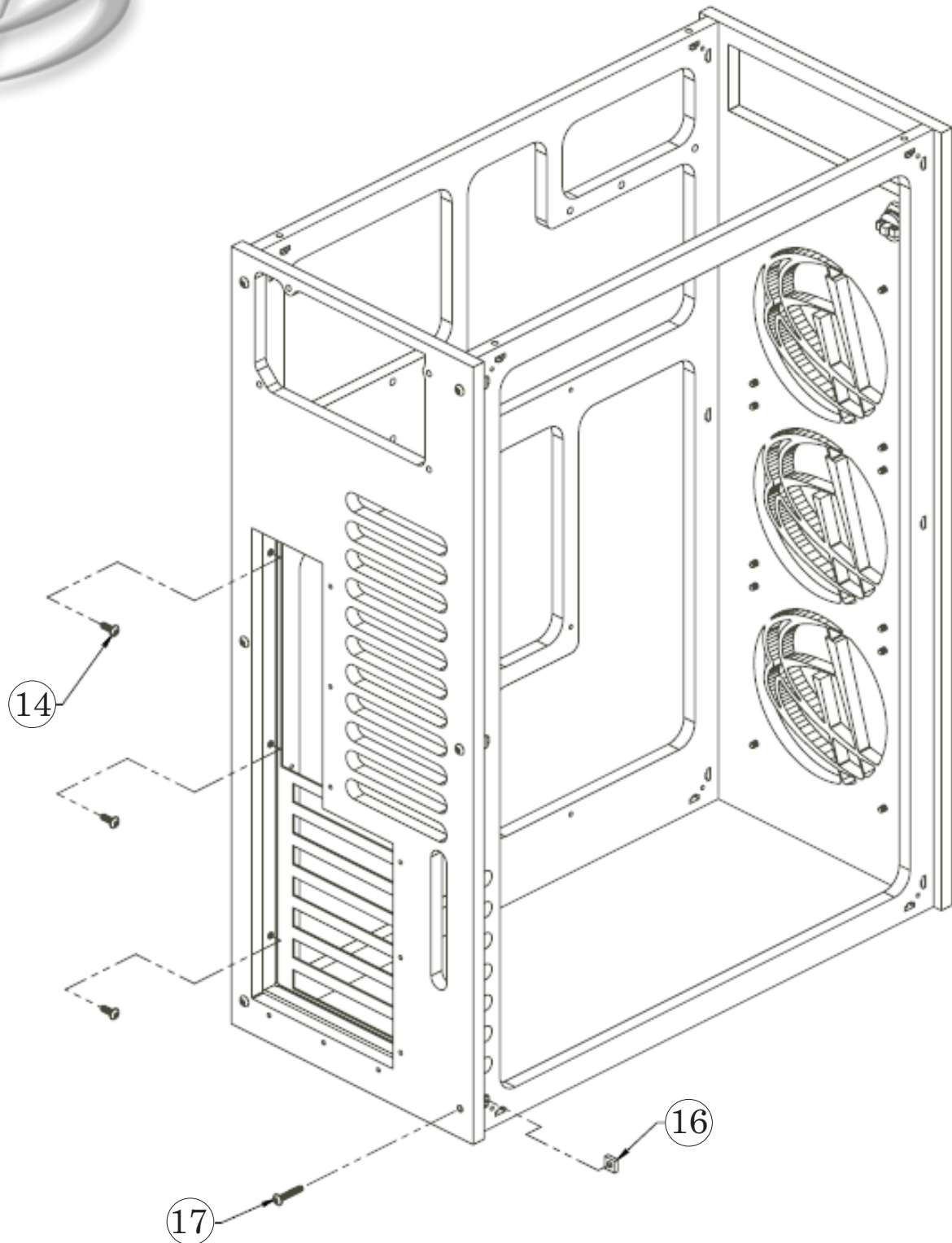


assembly diagrams



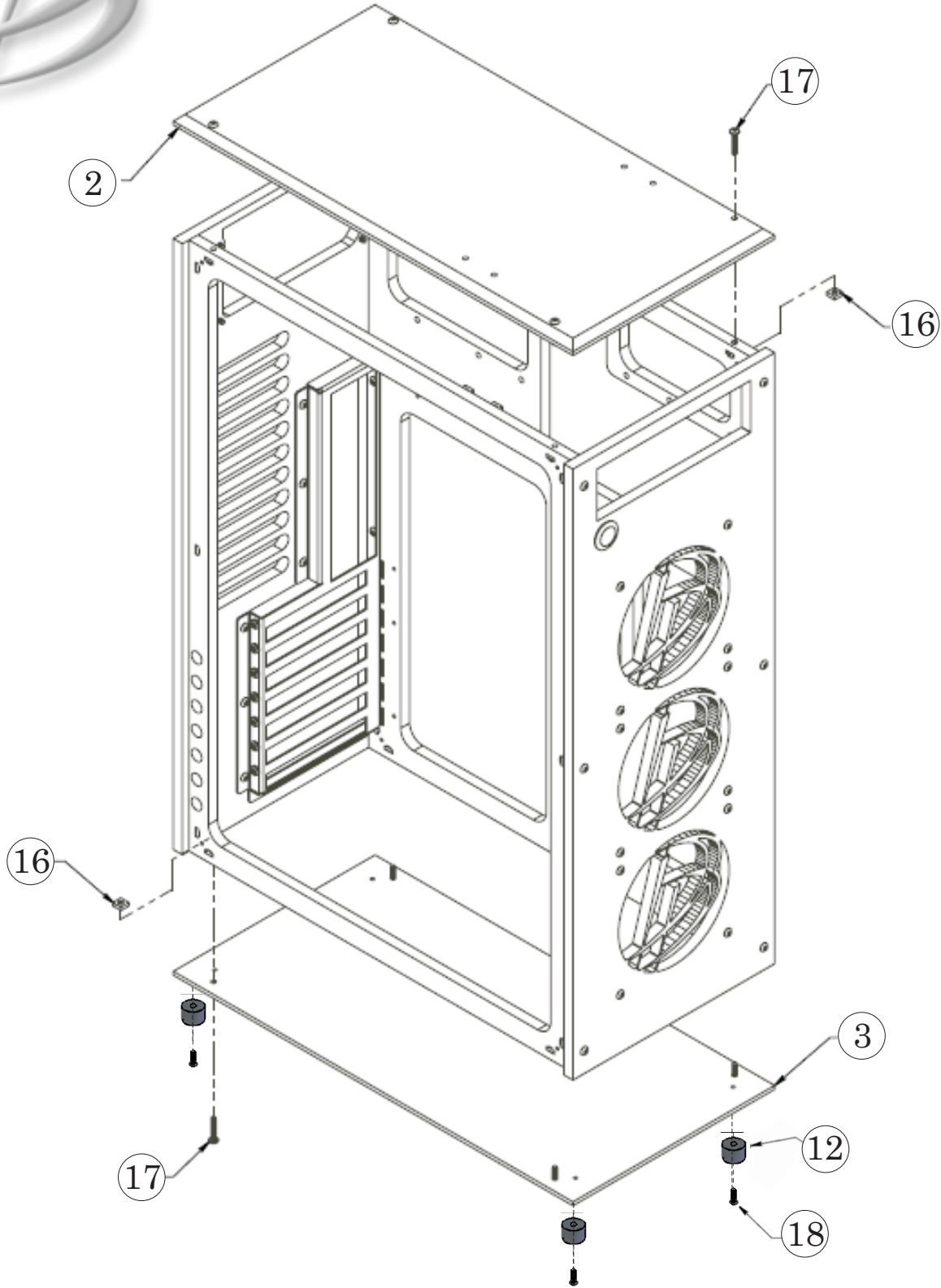


assembly diagrams



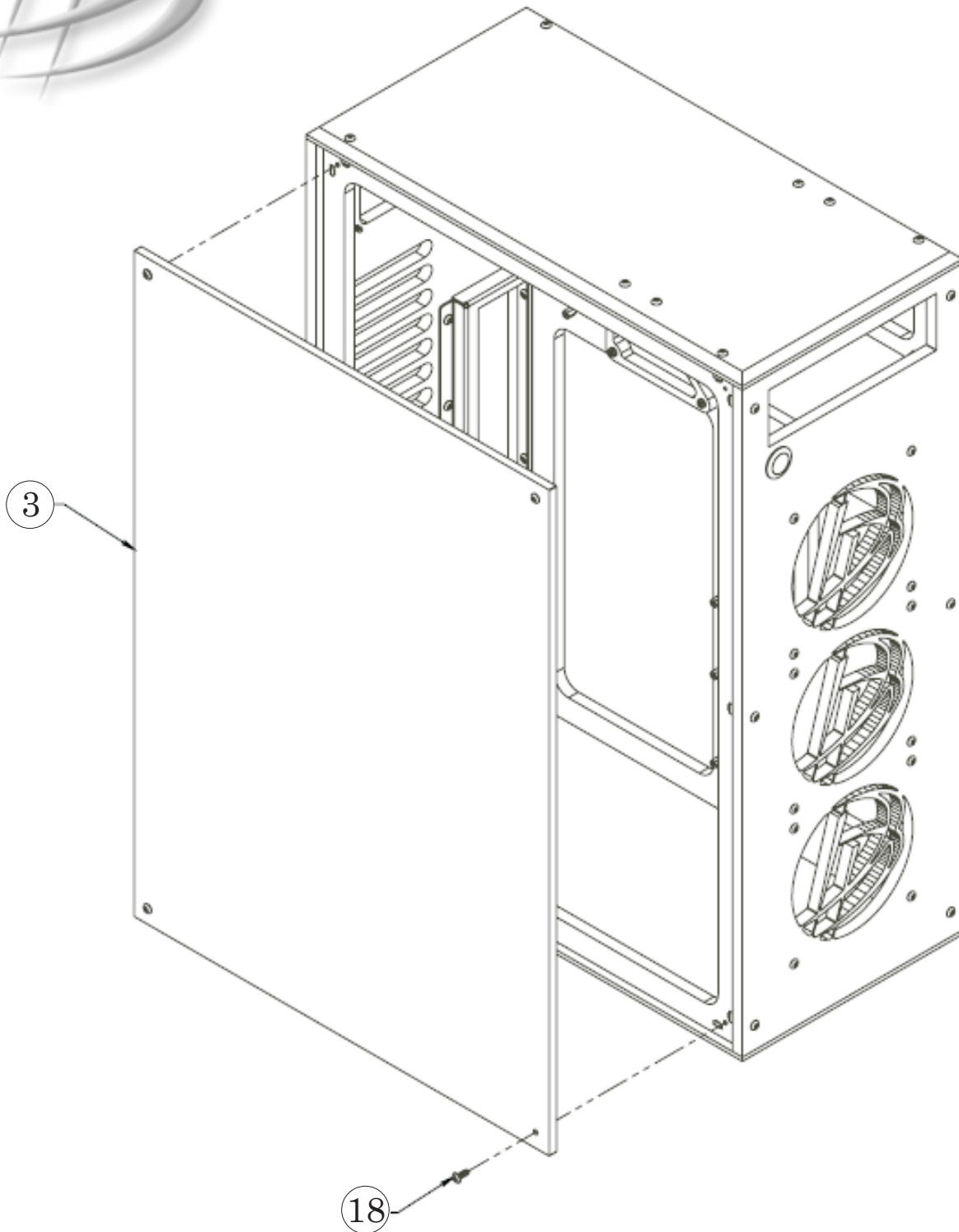


assembly diagrams





assembly diagrams





assembly diagrams

