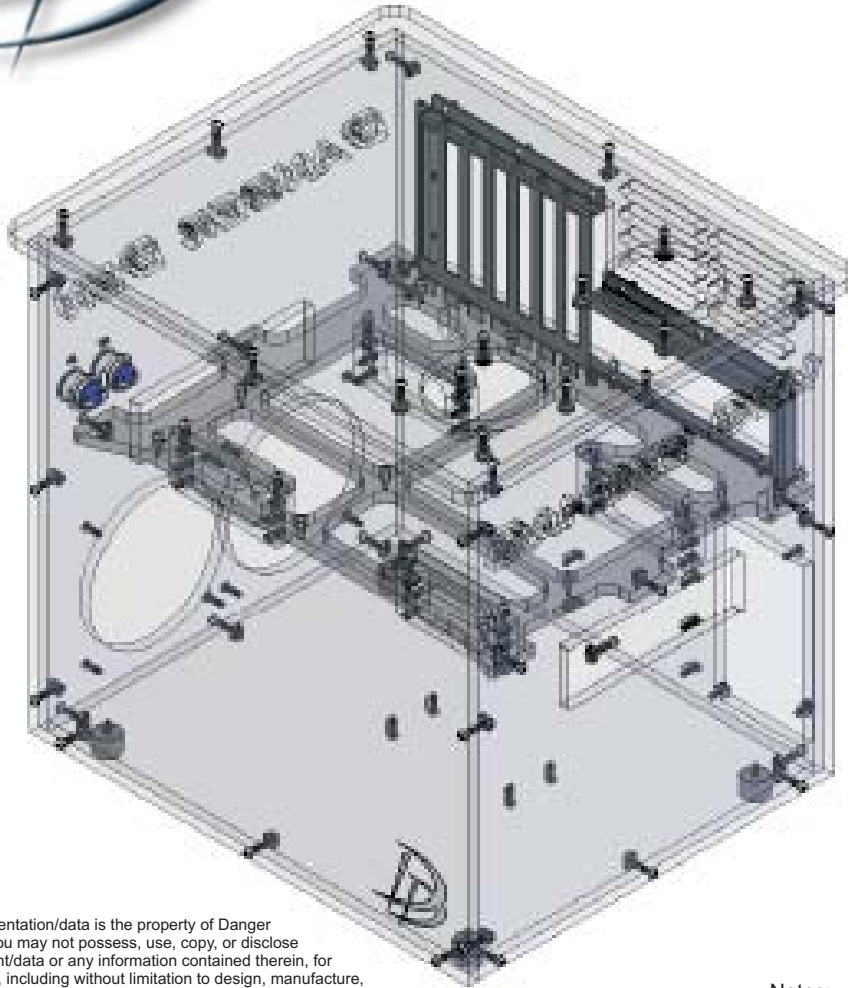




Water Box Plus DV assembly diagrams

Part No. CAS-WB03



Item #	Part	Quantity	Description
1	Case Bottom	1	
2	Mobo Tray	1	
3	Back Wall	1	
4	Left Wall	1	
5	Right Wall	1	
6	Front Wall	1	
7	Case Top	1	
8	I-O Shield	1	
9	Vandal Proof Switch & Nut	2	
10	Wire Lead for Switch	2	
11	Allen Wrench	1	
12	Case "Foot"	4	
13	MotherBoard Standoffs	10	Brass Standoffs
14	MotherBoard Mounting Screws	10	
15	I-O Shield Mount Screws	12	6-32 x 5/16" Button Head Socket Cap Screw
16	Case Wall Assembly Nuts	55	6-32 Hex Nuts
17	Case Wall Assembly Screws	47	6-32 x 7/8" Button Head Socket Cap Screw
18	"Foot", HDD, PSU Mount Screws	26	6-32 x 1/2" Button Head Socket Cap Screw
19	Fan Mount Screws	8	6-32 x 3/4" Button Head Socket Cap Screw
20	PCI Mount Screws	7	6-32 x 3/16" Pan Head Phillips Machine Screw
21	Optical Drive Mount Screws	16	M3 - 12mm Phil Pan Machine Screw
22	Optical Mount	4	

"This documentation/data is the property of Danger Den LLC. You may not possess, use, copy, or disclose this document/data or any information contained therein, for any purpose, including without limitation to design, manufacture, or repair parts, or obtain government approval to do so, without Danger Den LLC express written permission. Neither receipt nor possession of this document alone, from any source, constitutes such permission. Possession, use, copying, or disclosing by anyone without Danger den LLC express written permission is not authorized and may result in criminal and/or civil liability. This document/data remains the property of Danger Den LLC. This document/data is not releasable under the freedom of information act." © copyright Danger Den LLC.

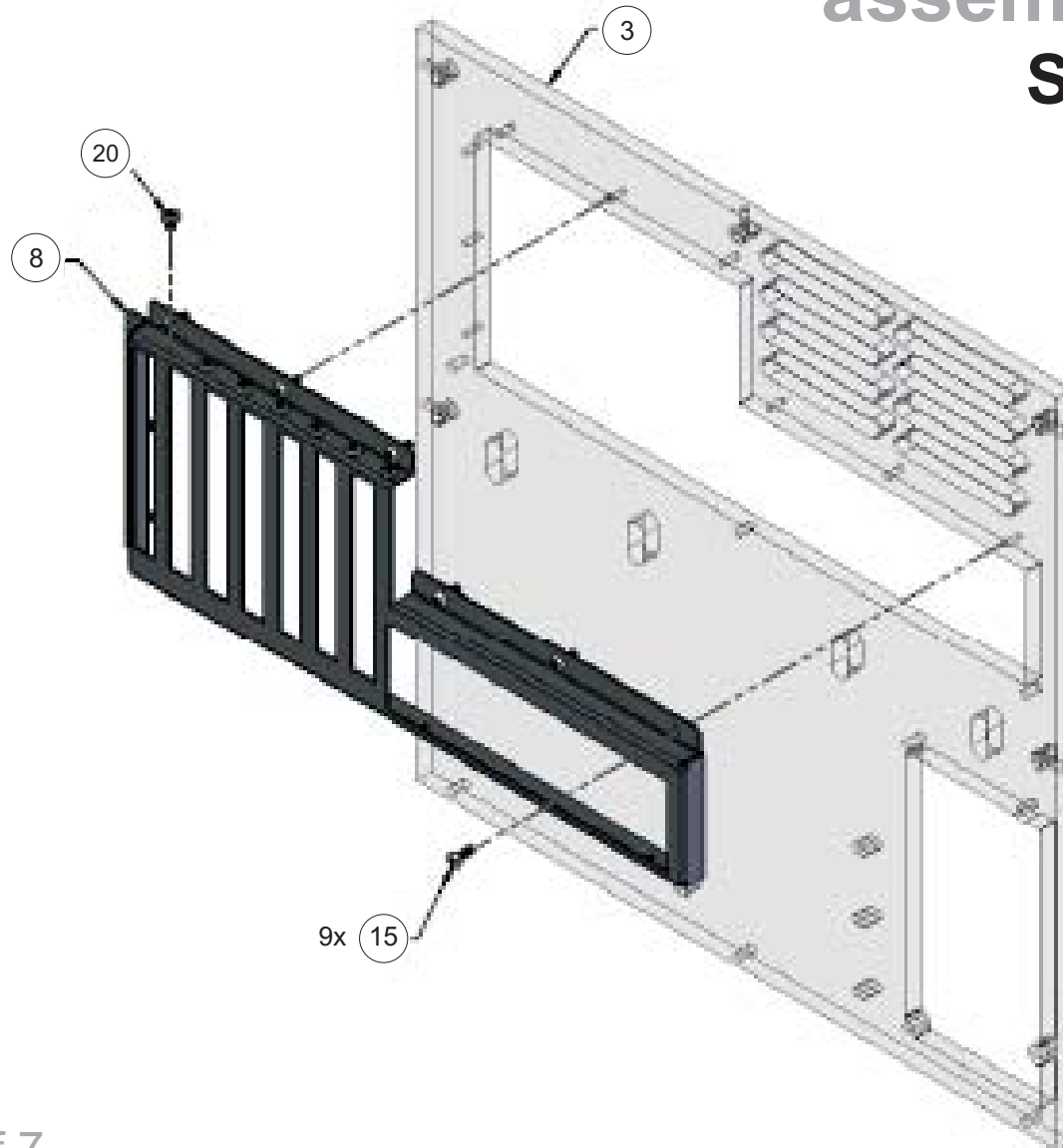
Notes:

1. Your "Water Box" may be customized and look different, but all "Water Box" cases will assemble in the same manner.
2. All computer components shown in these drawings are for reference only, and are not part of the "Water Box".
3. The "Water Box" has been proven to work well with the use of the Black Ice Pro Single Pass Radiator and the Black Ice Xtreme Single Pass Radiator. Other radiators may fit, but may create a challenge when it is time to plumb the system.
4. The "Water Box" has been proven to work well with the use of the DDC pump. Other pumps may fit, but may create a challenge when it is time to plumb the system.
5. Velcro was used to mount the DDC pump. This is not included in the DD Water Box kit and needs to be purchased separately.
6. During assembly, leaving the screws slightly loose will help with aligning the case panels. After all the panels are in place, go back over the entire case and tighten all screws.



DANGER DENTM
overclocking | watercooling | case mods

Water Box Plus DV assembly diagrams Step One

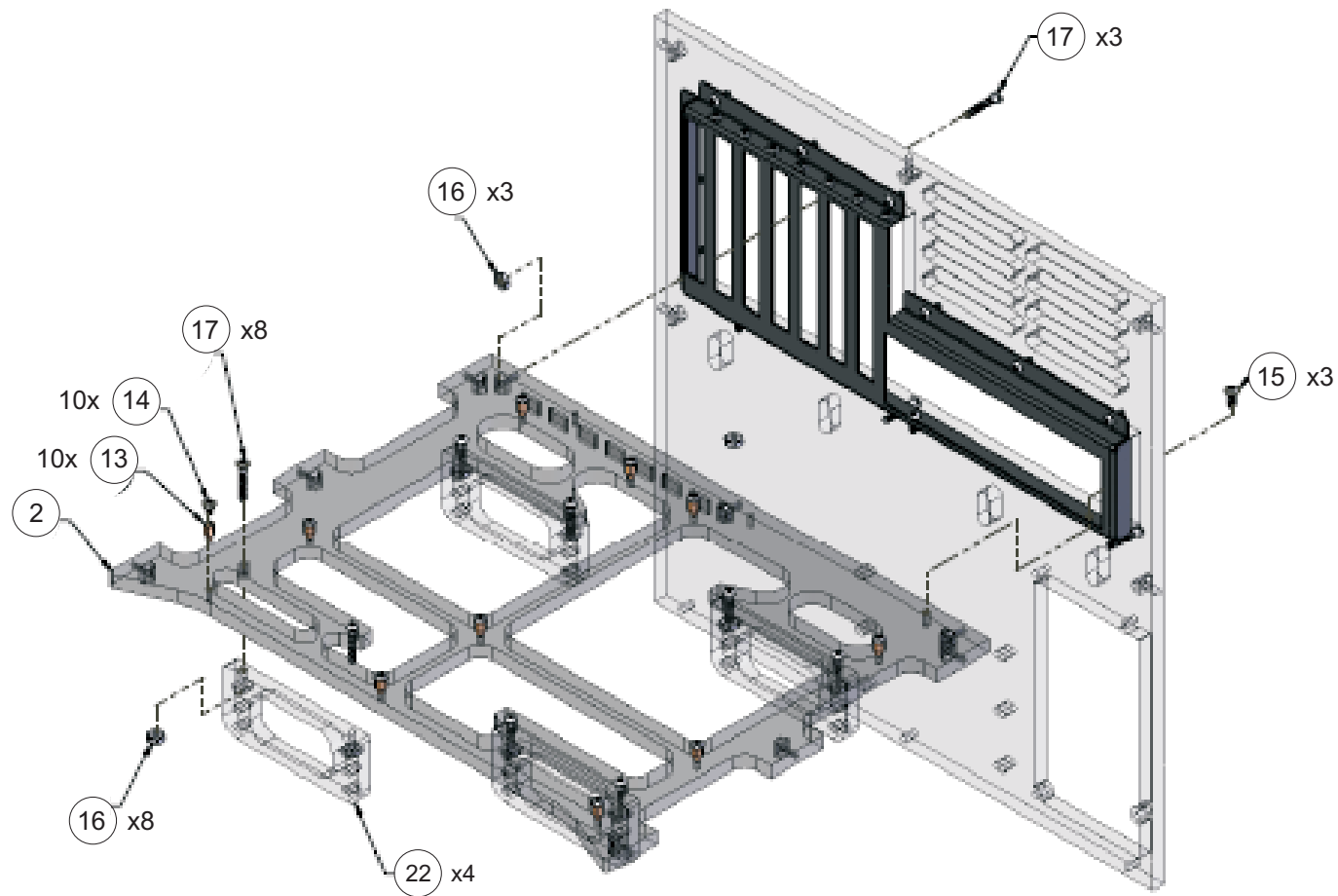




DANGER DENTM
overclocking | watercooling | case mods

Water Box Plus DV assembly diagrams

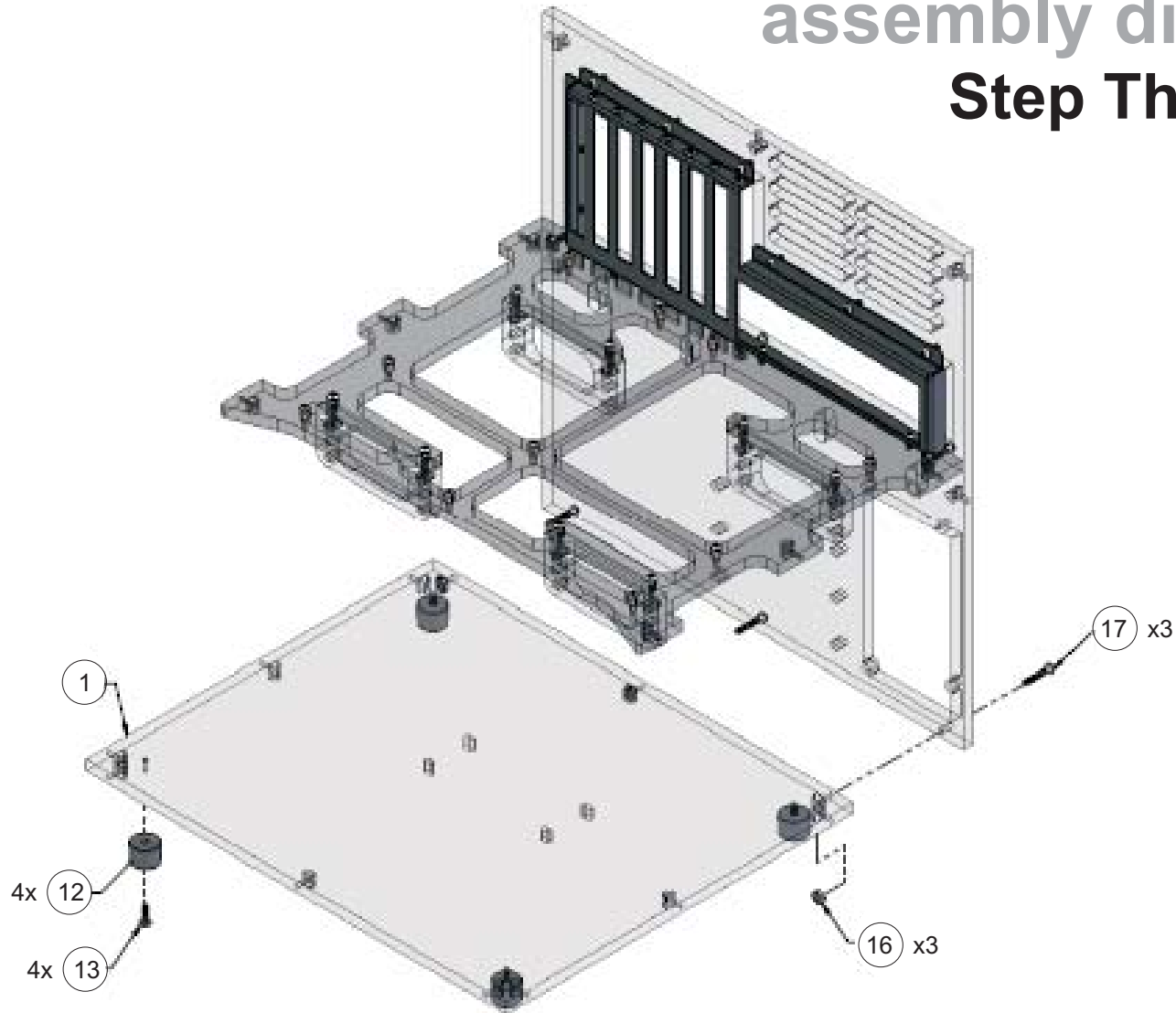
Step Two





DANGER DENTM
overclocking | watercooling | case mods

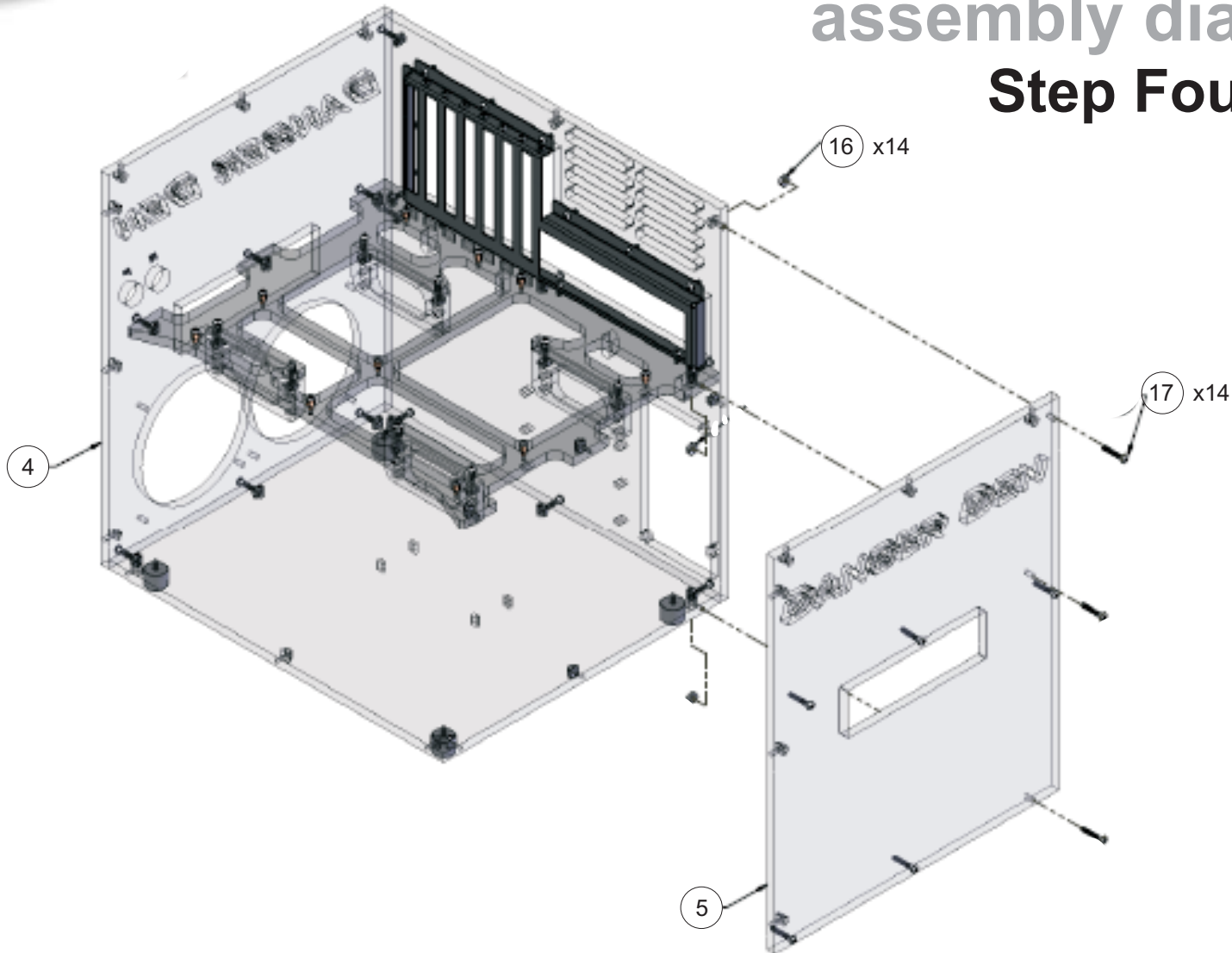
Water Box Plus DV assembly diagrams Step Three





DANGER DENTM
overclocking | watercooling | case mods

Water Box Plus DV assembly diagrams Step Four

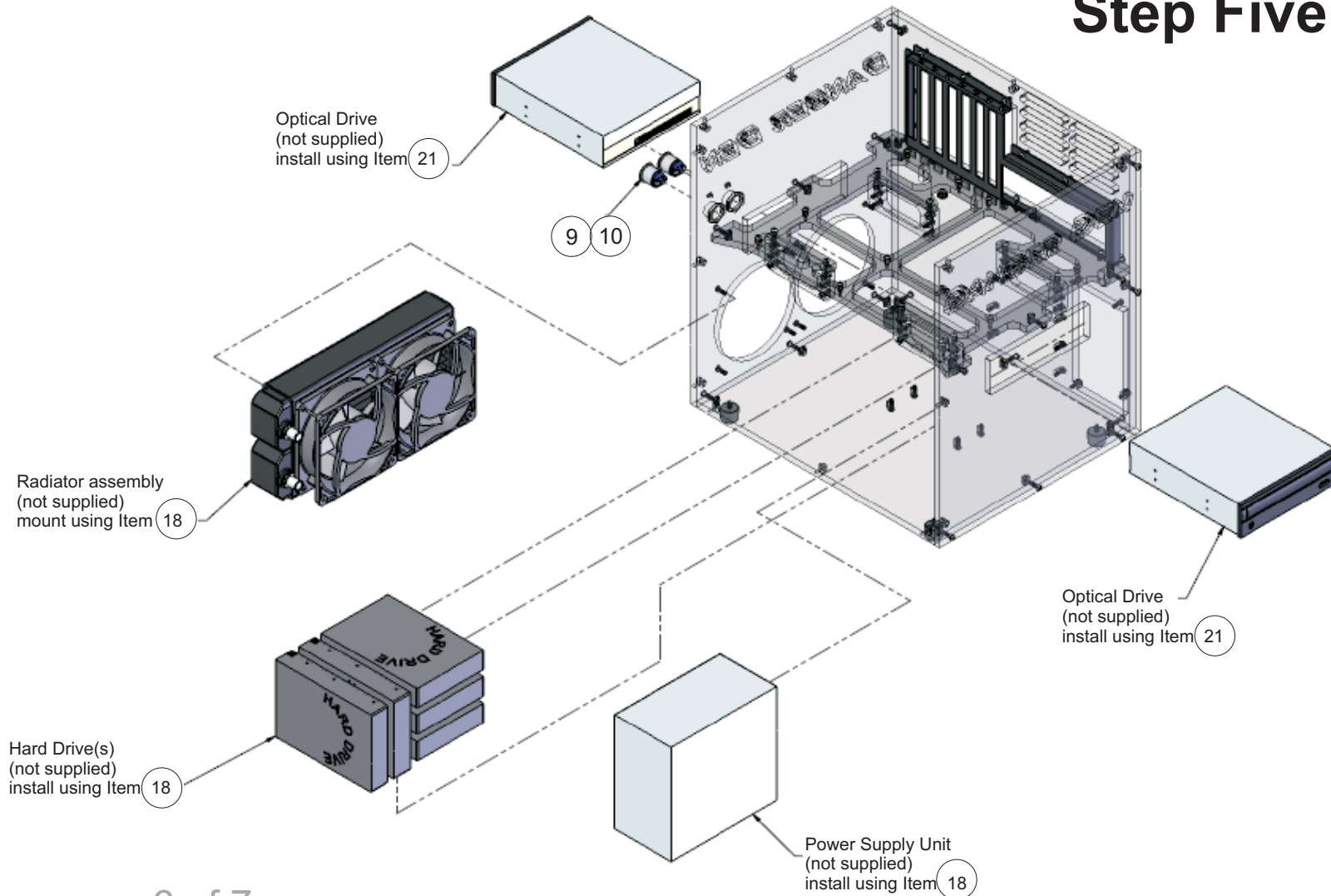




DANGER DENTM
overclocking | watercooling | case mods

Water Box Plus DV assembly diagrams

Step Five





DANGER DENTM
overclocking | watercooling | case mods

Water Box Plus DV assembly diagrams

Step Six

