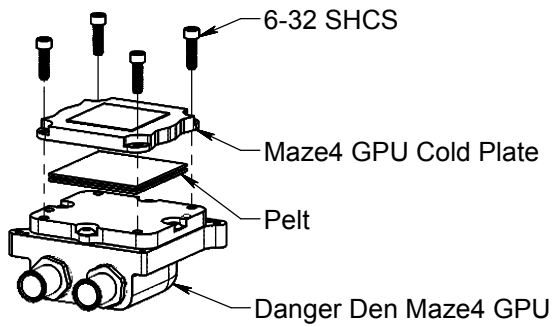


Danger Den Maze4-1 GPU Waterblock Installation

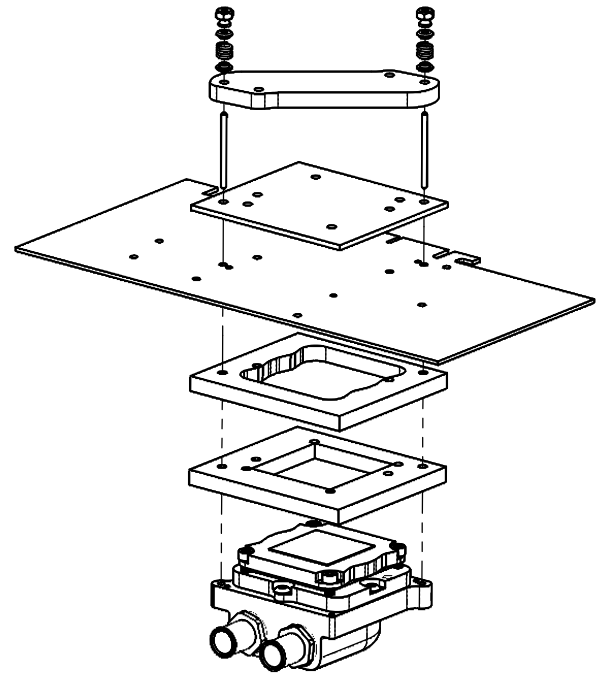
* note: Low Profile Maze4 GPU may require ramsink modifications

Danger Den LLC assumes no liability whatsoever, expressed or implied, for the use or installation of this product. These installation instructions are subject to change without notice.

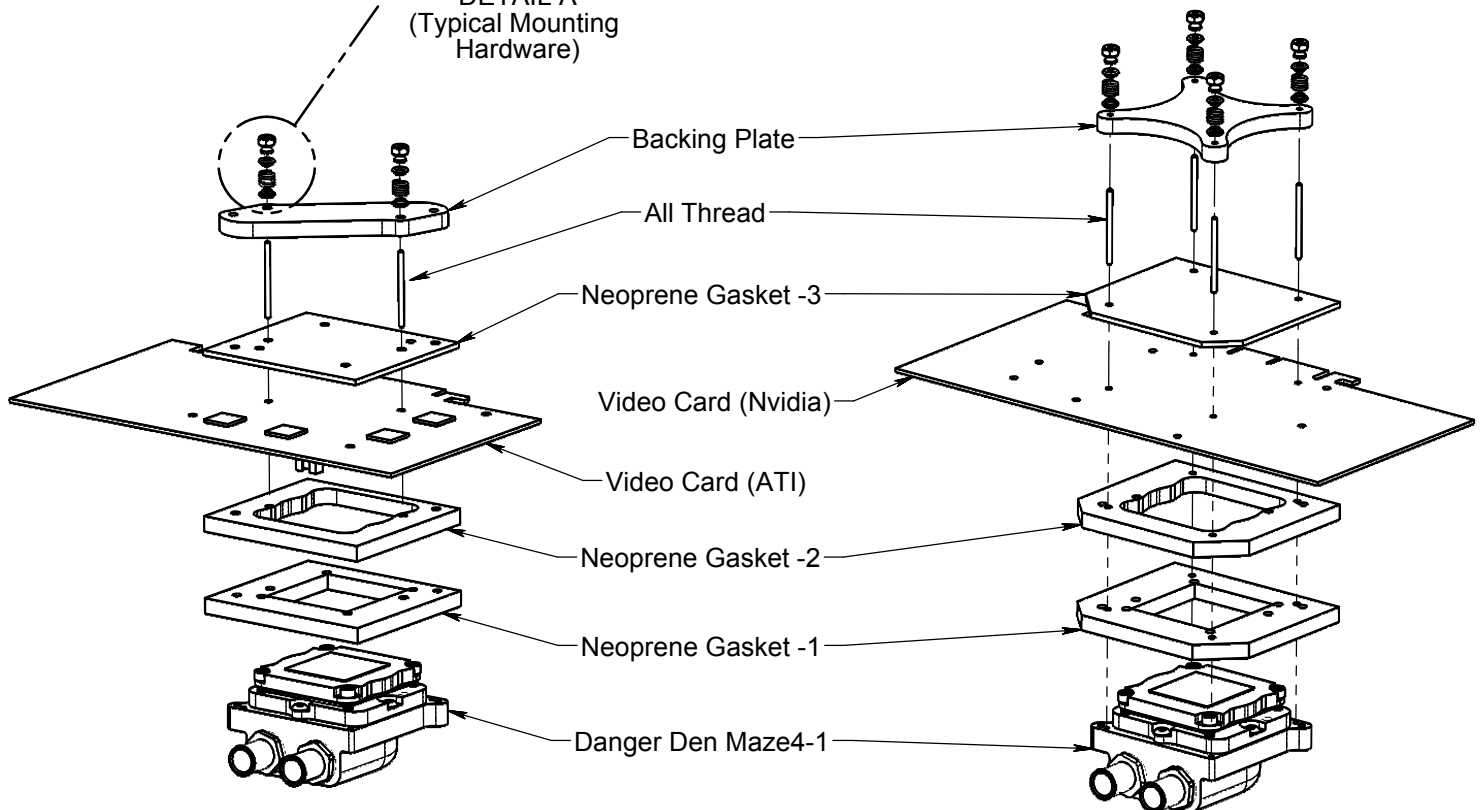
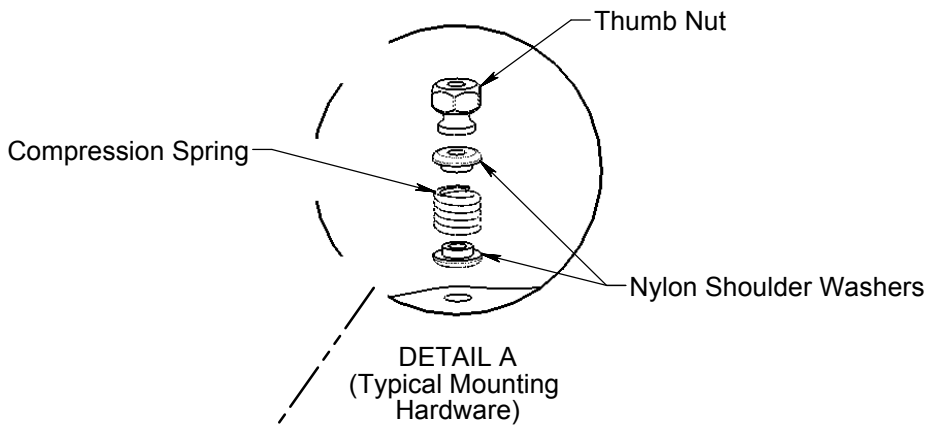
Go to - http://dangerden.com/instructions/instruction_page.htm for condensation prevention prevention techniques.



Maze4-1 GPU Buildup



NVIDIA INSTALLATION
(older Nvidia cards, see below for component identification)



ATI INSTALLATION

NVIDIA INSTALLATION
(6800 - 7800 Series)